

NextEnergy 3 Series Specifications



Revision Date: October 5, 2010

This page is intentionally left blank

Table of Contents

Features	5
Nomenclature	7
Summary Performance Data	8
Physical & Electrical Data	9
Dimensional Data – N33 to N36	10
Dimensional Data – N37 to N3X	11
Heat Exchanger Pressure Drop	12
Performance Data.....	13
Glossary	13
Calculations.....	13
N33 – High Capacity Operation	14
N33 – Low Capacity Operation	15
N34 – High Capacity Operation	16
N34 – Medium Capacity Operation	17
N34 – Low Capacity Operation	18
N35 – High Capacity Operation	19
N35 – Medium Capacity Operation.....	20
N35 – Low Capacity Operation	21
N36 – High Capacity Operation	22
N36 – Medium Capacity Operation	23
N36 – Low Capacity Operation	24
N37 – High Capacity Operation	25
N37 – Medium Capacity Operation	26
N37 – Low Capacity Operation	27
N38 – High Capacity Operation	28
N38 – Medium Capacity Operation	29
N38 – Low Capacity Operation	30
N39 – High Capacity Operation	31

Specifications subject to change without notice.

N39 – Medium Capacity Operation	32
N39 – Low Capacity Operation	33
N3X – High Capacity Operation	34
N3X – Medium Capacity Operation	35
N3X – Low Capacity Operation	36
Revision History	37

Features

High system efficiencies

Three-stage units with dual mismatched compressors allow for greater flexibility in matching building heating or cooling requirements.

Thermostatic expansion valves are balanced with an equalization bleed port to allow compressor to start in unloaded condition.

Flat brazed plate heat exchanger technology allows greater efficiency with lower head loss than typical coaxial heat exchangers, reducing pumping requirements. Brazed plate heat exchangers are available in stainless steel/copper as well as an optional extended corrosion resistant marine grade stainless steel.

The overall efficiency of units with special control technology offers unsurpassed latent cooling capacity (dehumidification).

Engineered for easy serviceability

Large removable panels allow easy access to all components with ductwork in place.

Electrical control box is mounted on hinge pins so that it can easily be swung out of the way or even removed from the cabinet to allow greater access to other components.

High and low pressure ports in refrigeration circuit are mounted at the front of the insulated divider and separate access panels into the air handling and compressor section permits operational servicing and testing without having air bypass the air to refrigerant coil.

The Microprocessor board controls staging of compressors, blower speed, and hot water recovery and provides zone control for up to four zones, as well as interfacing multiple units to DDC systems. Microprocessor board also provides diagnostic capabilities to the servicing technician.

Quality from the ground up

Each NextEnergy unit is run tested in all operating modes to insure efficiency and reliability before shipping.

Heavy gauge steel cabinet is finished with baked on corrosion resistant epoxy powder coating. All copper tubing is solvent cleaned and all brazing is performed in an inert nitrogen atmosphere. All joints are pressure tested to 500 psi.

Noise levels are reduced to minimum by isolating the compressor/s with vibration absorbing mounts in an insulated compartment; blower and motor are isolation mounted

Specifications subject to change without notice.

and cabinet is insulated throughout with 1" noise absorbing insulation.

Safety controls include high and low pressure refrigerant cutout switches as well as automatic controls to offer protection against freezing servicing area.

Dual Compressors

A dual compressor system normally consists of both a small and a large compressor. This unique design allows the unit to provide three stages of heating and cooling: stage one uses only the small compressor, stage two uses only the large compressor, and stage three employs both compressors at the same time. Dual compressors run on the same circuit, allowing the small and large compressor to run on coils sized for both compressors – resulting in increased efficiency. NextEnergy is the only marketer to offer a three stage ground source heat pump. The unit's capacity will vary depending upon a particular structure's needs.

Hot Water

The hot water heating option is a patented system that works like a full condenser except that, once the room thermostat is satisfied, the unit will check the hot water tank's thermostat. If the hot water tank needs more heat, the unit will then turn on the compressor to just heat water. When the room thermostat later calls for more heating or cooling, the unit will then switch back and heat or cool. The breaker to the hot water tank is turned off as this system will provide 100% of the hot water needs up to 120 °F.

Zone Control

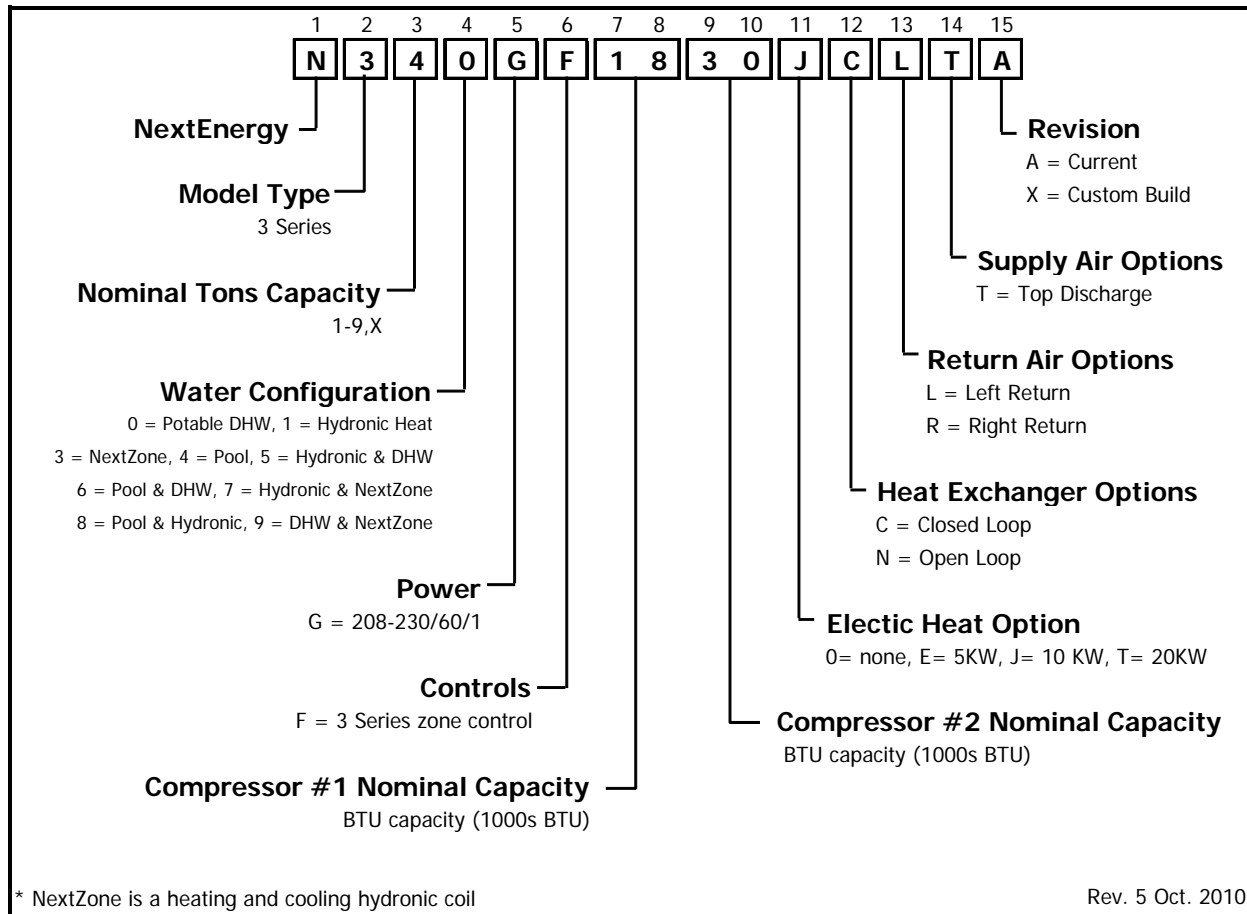
Zone control, or dampering of zones, is also accomplished by the microprocessor board. Each zone damper and thermostat hooks to the control board that will open and close the proper damper and turn the unit on and off. The control board allows one thermostat to call for heat while another calls for cooling. The heating zone will function first while the cooling zone shuts off until the heating zone has been satisfied.

Custom designed for each application

NextEnergy offers the ability to design units for the specific application. Consideration is given to the operating and physical requirements for each location. All NextEnergy units are designed to operate efficiently with entering water temperatures between 25°F and 110°F.

NextEnergy offers a complete range of models, sizes and voltages for all applications. Variable speed blower motor technology offers the capability to fine-tune the blower to unique local situations in ducting and/or CFM requirements.

Nomenclature



Summary Performance Data

		Water Loop				Ground Water				Ground Loop			
		Cooling 86°F		Heating 68°F		Cooling 59°F		Heating 50°F		Cooling 77°F		Heating 32°F	
		Cap. kBTU	EER BTU/W	Cap. kBTU	COP	Cap. kBTU	EER BTU/W	Cap. kBTU	COP	Cap. kBTU	EER BTU/W	Cap. kBTU	COP
N33	High	36.3	12.58	49.4	4.58	40.7	18.63	40.8	4.04	37.9	14.56	32.6	3.50
	Low	18.4	12.78	25.2	4.76	20.6	18.83	20.9	4.22	19.2	14.76	16.8	3.68
N34	High	48.3	12.28	65.7	4.46	54.2	18.33	54.3	3.92	50.5	14.26	43.4	3.38
	Med.	30.2	12.29	41.1	4.47	33.8	18.34	33.9	3.93	31.6	14.27	27.1	3.39
	Low	18.1	12.31	24.6	4.49	20.3	18.36	20.3	3.95	19.0	14.29	16.3	3.41
N35	High	60.4	12.48	82.1	4.51	67.7	18.53	67.8	3.97	63.2	14.46	54.3	3.43
	Med.	36.2	12.50	49.3	4.53	40.6	18.55	40.7	3.99	37.9	14.48	32.6	3.45
	Low	30.2	12.24	41.1	4.44	33.8	18.29	33.9	3.90	31.6	14.22	27.1	3.36
N36	High	72.4	12.27	98.6	4.45	81.2	18.32	81.4	3.91	75.8	14.25	65.2	3.37
	Med.	42.3	12.29	57.5	4.46	47.4	18.34	47.5	3.92	44.2	14.27	38.0	3.38
	Low	30.2	12.32	41.1	4.48	33.8	18.37	33.9	3.94	31.6	14.30	27.1	3.40
N37	High	84.5	12.31	115.0	4.48	94.8	18.36	94.9	3.94	88.4	14.29	76.0	3.40
	Med.	48.3	12.33	65.7	4.49	54.2	18.38	54.3	3.95	50.5	14.31	43.4	3.41
	Low	36.2	12.36	49.3	4.52	40.6	18.41	40.7	3.98	37.9	14.34	32.6	3.44
N38	High	96.7	12.68	132.4	4.47	108.4	18.73	109.5	3.93	101.2	14.66	87.8	3.39
	Med.	61.0	12.73	82.3	4.56	68.3	18.78	68.0	4.02	63.8	14.71	54.5	3.48
	Low	36.9	12.88	49.6	4.76	41.3	18.93	41.1	4.22	38.6	14.86	32.9	3.68
N39	High	108.6	12.28	147.8	4.46	121.9	18.33	122.1	3.92	113.7	14.26	97.7	3.38
	Med.	72.4	12.31	98.6	4.47	81.2	18.36	81.4	3.93	75.8	14.29	65.2	3.39
	Low	36.2	12.34	49.3	4.51	40.6	18.39	40.7	3.97	37.9	14.32	32.6	3.43
N3X	High	120.7	12.27	164.3	4.45	135.4	18.32	135.6	3.91	126.3	14.25	108.6	3.37
	Med.	72.4	12.29	98.6	4.46	81.2	18.34	81.4	3.92	75.8	14.27	65.2	3.38
	Low	48.3	12.32	65.7	4.48	54.2	18.37	54.3	3.94	50.5	14.30	43.4	3.40

Cooling capacity based on 80.6°F DB, 66.2°F WB entering air temperatures. Heating capacity based on 68°F DB entering air temperature. All measurements were completed using a water flow rate of 3 gpm per ton of compressor operation (ie. the N35 in low stage operates a 2-ton compressor and has been tested at 6gpm). Air flow rates were set at 400CFM per ton for heating and 375CFM per ton for cooling.

The above performance data here has been measured at the conditions described in ASHRAE 13256-1. **However, this is not AHRI Certified Performance Data.**

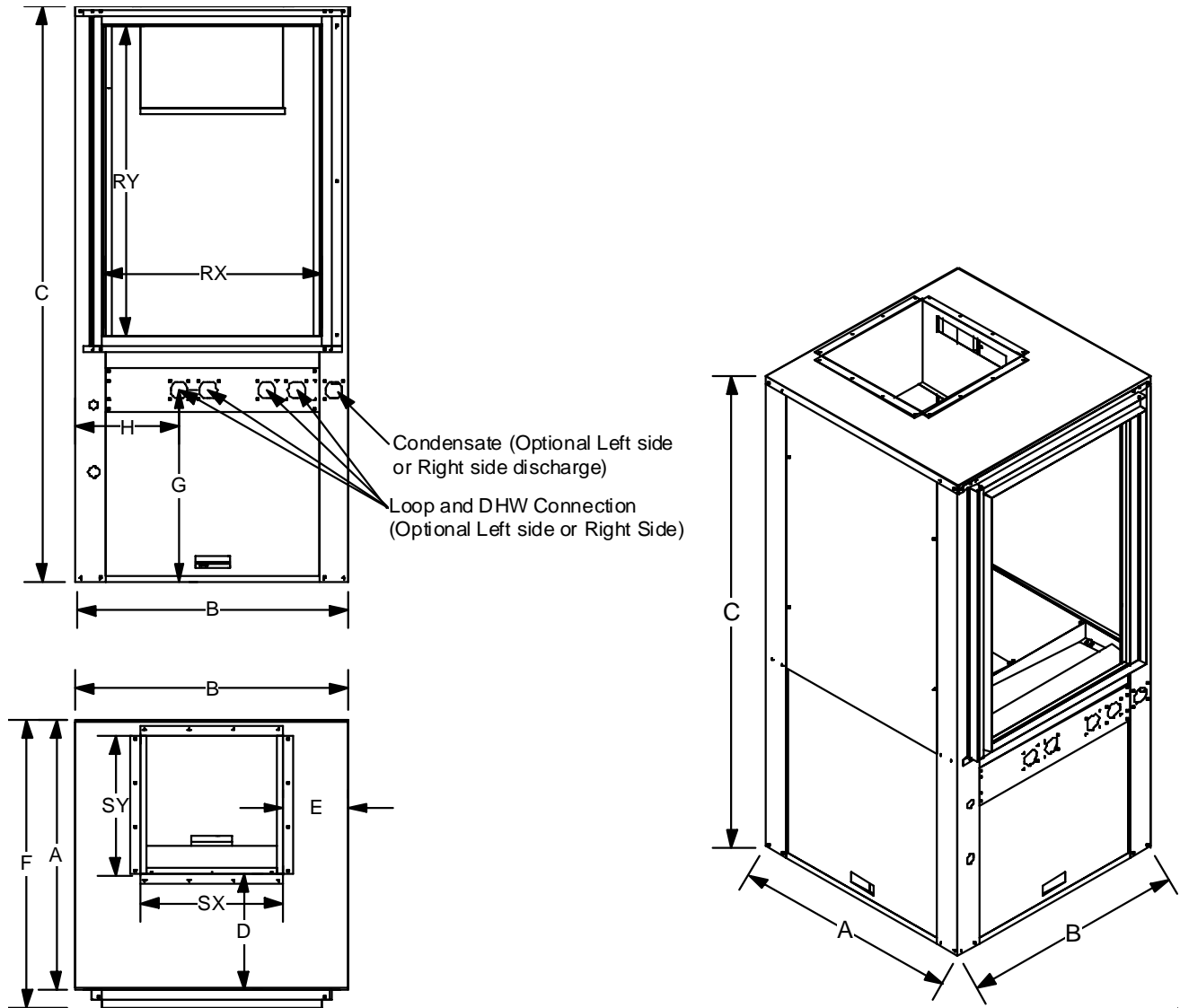
Physical & Electrical Data

Unit	Electrical Characteristics	Compressor 1		Compressor 2		Blower		Min. Circuit Ampacity	Max Fuse Size
		RLA	LRA	RLA	LRA	NPA	HP		
N33	208/230-1-60	7.4	43	7.4	43	3	1/2	20.7	30
N34	208/230-1-60	7.4	43	13	88	4	3/4	28.7	40
N35	208/230-1-60	10.6	54	14.5	84	5	1	34.7	50
N36	208/230-1-60	13	88	18.3	102	5	1	41.9	60
N37	208/230-1-60	20	115	25	150	8	3/4 (X2)	60.3	90
N38	208/230-1-60	20	115	30.1	145	8	3/4 (X2)	66.6	100
N39	208/230-1-60	20	115	26.9	145	8	3/4 (X2)	65.6	95
N3X	208/230-1-60	25	150	26.9	145	8	3/4 (X2)	67.6	100

Warning

Always follow local, provincial, and federal electrical code when wiring this product.

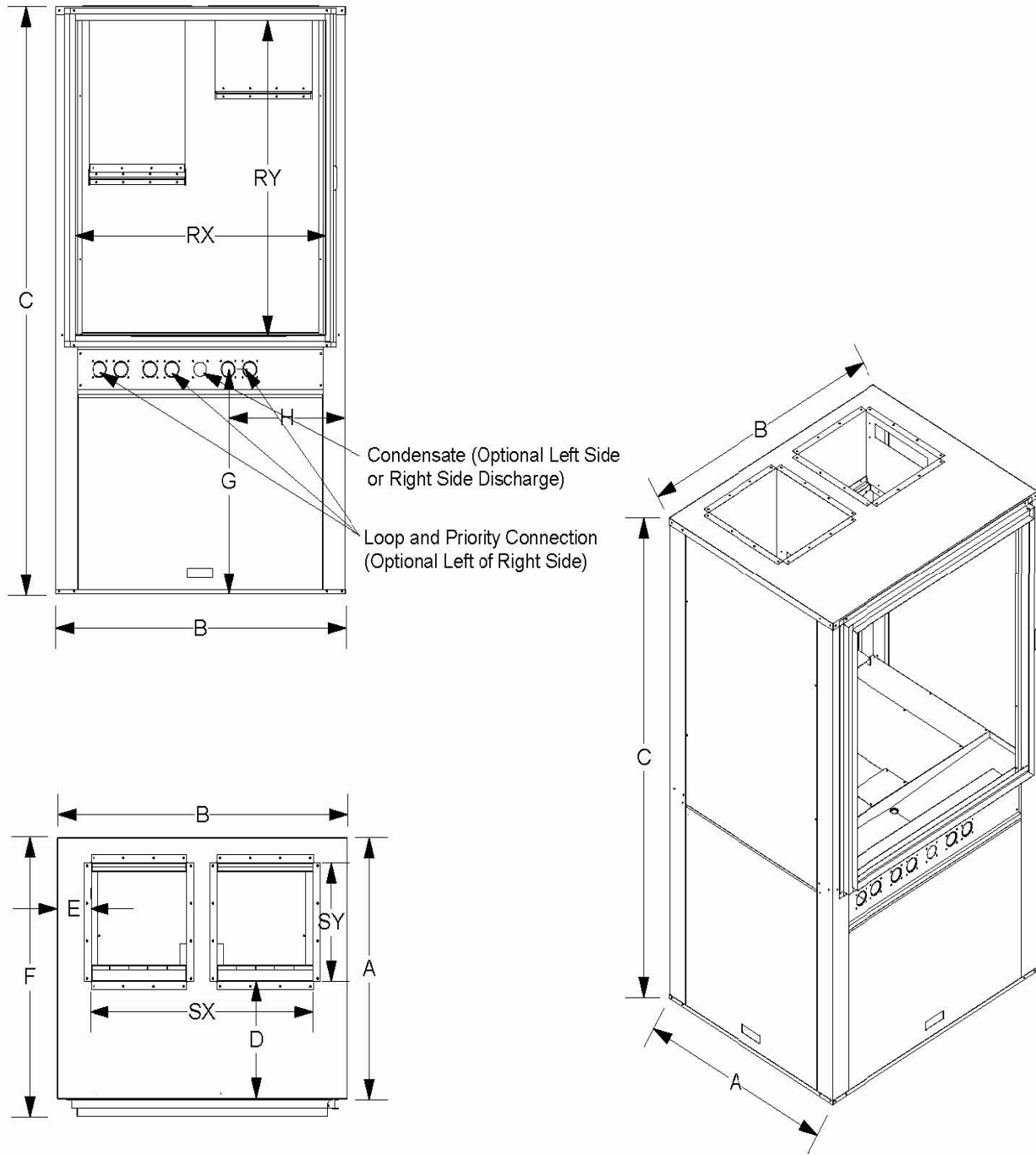
Dimensional Data – N33 to N36



Dimensions In Inches											
A	B	C	SX	SY	RX	RY	D	E	F	G	H
28	28	60	14.5	14.5	22.5	32.5	12	6.5	30	20.25	10.5
Water Supply and Return Connections					1"						
Condensate Connections					3/4"						

Specifications subject to change without notice.

Dimensional Data – N37 to N3X



Dimensions In Inches											
A	B	C	SX	SY	RX	RY	D	E	F	G	H
32	40	73	30	14.5	32	40	14.5	4.5	34	27.5	16
Water Supply and Return Connections					1 1/4"						
Condensate Connections					3/4"						

Specifications subject to change without notice.

Heat Exchanger Pressure Drop

Unit		Design		
N33	GPM	7.5	9	11.5
	Ft. of Head	3.95	4.93	7.33
	PSIG	1.71	2.13	3.17
N34	GPM	10	12	14
	Ft. of Head	3.85	5.47	7.32
	PSIG	1.67	2.37	3.16
N35	GPM	12.5	15	17.5
	Ft. of Head	3.91	5.15	7.26
	PSIG	1.69	2.23	3.14
N36	GPM	15	18	21
	Ft. of Head	5.14	7.25	9.77
	PSIG	2.22	3.14	4.23
N37	GPM	17.5	21	24.5
	Ft. of Head	5.8	7.8	10.83
	PSIG	2.51	3.37	4.68
N38	GPM	20	24	28
	Ft. of Head	1.66	2.36	3.2
	PSIG	0.72	1.02	1.38
N39	GPM	22.5	27	31.5
	Ft. of Head	2.14	3	4.08
	PSIG	0.93	1.3	1.76
N3X	GPM	25	30	35
	Ft. of Head	2.57	3.62	4.86
	PSIG	1.11	1.57	2.1

Bold type in the pressure drop chart indicates the design flow conditions. For all 3 Series, this equates to 3 gpm per ton.

Performance Data

Performance data was measured at the factory. All data available is based on water to air heating and cooling conditions. Capacities of hydronic coils will vary depending on operating conditions.

Glossary

Acronym	Description	Units (US)
EWT	Entering Water Temperature	°F
LWT	Leaving Water Temperature	°F
GPM	Gallons Per Minute	gpm
EAT	Entering Air Temperature	°F
LAT	Leaving Air Temperature	°F
DB	Dry Bulb	°F
WB	Wet Bulb	°F
TC	Total Cooling	BTU
SC	Sensible Cooling	BTU
HR	Heat of Rejection	BTU
kW	KiloWatts	kW
HC	Heating Capacity	BTU
HE	Heat of Extraction	BTU
EER	Energy Efficiency Ratio	BTU/W
COP	Coefficient of Performance	BTU/BTU
DHW	Domestic Hot Water	BTU

Calculations

$$HR = (LWT_{loop} - EWT_{loop}) * GPM * 500$$

$$DHW = (LWT_{DHW} - EWT_{DHW}) * GPM * 500$$

$$SC = (LAT_{DB} - EAT_{DB}) * CFM * 1.08$$

$$TC = HR + DHW - kW * 3412$$

$$COP_{air} = HC / (kW * 3412)$$

$$EER_{air} = TC / kW * 1000$$

$$COP_{sys} = ((HC \text{ or } TC) + DHW) / (kW * 3412)$$

N33 – High Capacity Operation

EWT	GPM	EAT	COOLING					HEATING																		
		DB/WB	TC	SC	HR	KW	EER	EAT	HC	HE	KW	COP														
30	7.5	Data Not Available										60	30.7	21.7	2.65	3.40										
												70	29.7	20.2	2.79	3.12										
												80	28.8	18.7	2.94	2.87										
	9.0											60	31.6	22.5	2.67	3.47										
												70	30.7	21.1	2.82	3.19										
												80	29.8	19.7	2.97	2.94										
40	7.5											Data Not Available										60	35.4	26.1	2.71	3.82
																						70	34.3	24.5	2.87	3.51
																						80	33.2	22.9	3.02	3.22
	9.0																					60	36.8	27.4	2.76	3.91
																						70	35.6	25.6	2.91	3.58
																						80	34.5	24.0	3.07	3.29
50	7.5	75/63	37.8	25.1	44.8	2.06	18.30	60	40.2	30.7	2.78											4.24				
		80/67	41.4	26.3	48.6	2.12	19.50	70	39.0	28.9	2.94											3.89				
		85/71	45.1	27.5	52.5	2.18	20.70	80	37.6	27.1	3.09											3.57				
	9.0	75/63	38.2	25.4	44.9	1.97	19.40	60	42.0	32.3	2.83											4.34				
		80/67	41.8	26.6	48.7	2.02	20.70	70	40.5	30.3	2.99											3.97				
		85/71	45.6	27.8	52.6	2.07	22.00	80	39.1	28.4	3.15											3.64				
60	7.5	75/63	36.5	24.8	44.2	2.26	16.15	60	44.7	34.9	2.88	4.56														
		80/67	39.9	26.0	47.8	2.32	17.20	70	43.2	32.9	3.04	4.18														
		85/71	43.5	27.2	51.6	2.37	18.35	80	41.7	30.8	3.19	3.83														
	9.0	75/63	37.0	25.1	44.3	2.15	17.20	60	46.9	36.8	2.95	4.66														
		80/67	40.5	26.3	48.0	2.20	18.40	70	45.2	34.6	3.11	4.26														
		85/71	44.1	27.5	51.8	2.26	19.55	80	43.6	32.4	3.28	3.90														
70	7.5	75/63	35.2	24.5	43.8	2.51	14.00	60	49.3	39.2	2.96	4.88														
		80/67	38.5	25.7	47.3	2.58	14.90	70	47.5	36.9	3.12	4.46														
		85/71	42.0	26.9	50.9	2.62	16.00	80	45.7	34.5	3.28	4.08														
	9.0	75/63	35.8	24.8	43.9	2.39	15.00	60	51.9	41.4	3.05	4.98														
		80/67	39.3	26.0	47.6	2.44	16.10	70	49.9	38.9	3.22	4.55														
		85/71	42.7	27.2	51.2	2.50	17.10	80	48.1	36.5	3.40	4.15														
80	7.5	75/63	33.4	23.8	42.9	2.78	12.00	60	53.2	43.2	2.95	5.29														
		80/67	36.6	25.1	46.4	2.86	12.80	70	51.3	40.2	3.23	4.65														
		85/71	39.9	26.3	49.8	2.90	13.75	80	49.2	37.8	3.36	4.29														
	9.0	75/63	34.1	24.1	43.1	2.63	12.95	60	56.1	45.4	3.15	5.23														
		80/67	37.4	25.4	46.6	2.69	13.90	70	54.0	42.7	3.32	4.78														
		85/71	40.7	26.6	50.1	2.75	14.80	80	52.0	40.1	3.50	4.36														
90	7.5	75/63	31.6	23.2	42.4	3.16	10.00	60	57.1	47.1	2.94	5.70														
		80/67	34.8	24.4	45.8	3.25	10.70	70	55.0	43.6	3.34	4.83														
		85/71	37.9	25.6	49.1	3.30	11.50	80	52.8	41.0	3.44	4.50														
	9.0	75/63	32.4	23.5	42.5	2.97	10.90	60	60.4	49.4	3.23	5.48														
		80/67	35.5	24.7	45.9	3.03	11.70	70	58.2	46.5	3.41	5.00														
		85/71	38.7	25.9	49.2	3.09	12.50	80	55.9	43.7	3.59	4.56														
100	7.5	75/63	29.4	22.4	41.4	3.54	8.30	Data Not Available																		
		80/67	32.2	23.5	44.5	3.60	8.95																			
		85/71	35.2	24.7	47.7	3.67	9.60																			
	9.0	75/63	30.1	22.6	41.3	3.29	9.15																			
		80/67	33.1	23.8	44.6	3.38	9.80																			
		85/71	36.0	25.0	47.8	3.45	10.45																			
110	7.5	75/63	27.1	21.5	41.1	4.11	6.60																			
		80/67	29.7	22.6	43.7	4.12	7.20																			
		85/71	32.5	23.7	46.9	4.22	7.70																			
	9.0	75/63	27.9	21.7	40.7	3.76	7.40																			
		80/67	30.7	22.8	44.0	3.89	7.90																			
		85/71	33.4	24.0	47.0	3.98	8.40																			

Units in GPM, F, 1000's of BTU's. Operation not recommended in shaded areas.

Specifications subject to change without notice.

N33 – Low Capacity Operation

EWT	GPM	EAT	COOLING					HEATING																		
		DB/WB	TC	SC	HR	KW	EER	EAT	HC	HE	KW	COP														
30	7.5	Data Not Available										60	15.9	11.4	1.30	3.58										
												70	15.3	10.7	1.36	3.30										
												80	14.9	10.0	1.43	3.05										
	9.0											60	16.3	11.8	1.31	3.65										
												70	15.9	11.2	1.38	3.37										
												80	15.4	10.5	1.45	3.12										
40	7.5											Data Not Available										60	18.2	13.6	1.33	4.00
																						70	17.7	12.9	1.40	3.69
																						80	17.1	12.1	1.47	3.40
	9.0																					60	18.9	14.3	1.36	4.09
																						70	18.3	13.4	1.43	3.76
																						80	17.7	12.6	1.50	3.47
50	7.5	75/63	19.1	12.7	22.6	1.03	18.50	60	20.6	15.9	1.37											4.42				
		80/67	20.9	13.3	24.5	1.06	19.70	70	20.0	15.1	1.44											4.07				
		85/71	22.8	13.9	26.5	1.09	20.90	80	19.3	14.2	1.51											3.75				
	9.0	75/63	19.3	12.9	22.7	0.99	19.60	60	21.5	16.7	1.39											4.52				
		80/67	21.1	13.4	24.6	1.01	20.90	70	20.7	15.7	1.46											4.15				
		85/71	23.0	14.0	26.5	1.04	22.20	80	20.1	14.8	1.54											3.82				
60	7.5	75/63	18.5	12.6	22.3	1.13	16.35	60	22.9	18.0	1.41	4.74														
		80/67	20.2	13.1	24.2	1.16	17.40	70	22.1	17.0	1.49	4.36														
		85/71	22.0	13.7	26.0	1.19	18.55	80	21.3	16.0	1.56	4.01														
	9.0	75/63	18.7	12.7	22.4	1.08	17.40	60	24.0	19.0	1.45	4.84														
		80/67	20.5	13.3	24.3	1.10	18.60	70	23.1	17.9	1.52	4.44														
		85/71	22.3	13.9	26.1	1.13	19.75	80	22.3	16.8	1.60	4.08														
70	7.5	75/63	17.8	12.4	22.1	1.26	14.20	60	25.2	20.2	1.46	5.06														
		80/67	19.5	13.0	23.9	1.29	15.10	70	24.3	19.0	1.53	4.64														
		85/71	21.2	13.6	25.7	1.31	16.20	80	23.4	17.9	1.61	4.26														
	9.0	75/63	18.1	12.5	22.2	1.19	15.20	60	26.4	21.3	1.50	5.16														
		80/67	19.9	13.1	24.0	1.22	16.30	70	25.5	20.1	1.58	4.73														
		85/71	21.6	13.7	25.8	1.25	17.30	80	24.6	18.9	1.66	4.33														
80	7.5	75/63	16.9	12.1	21.7	1.39	12.20	60	27.1	22.2	1.45	5.47														
		80/67	18.5	12.7	23.4	1.43	13.00	70	26.1	20.7	1.59	4.83														
		85/71	20.2	13.3	25.1	1.45	13.95	80	25.1	19.5	1.65	4.47														
	9.0	75/63	17.3	12.2	21.8	1.31	13.15	60	28.6	23.3	1.55	5.41														
		80/67	18.9	12.8	23.5	1.34	14.10	70	27.5	22.0	1.63	4.96														
		85/71	20.6	13.4	25.3	1.37	15.00	80	26.5	20.7	1.71	4.54														
90	7.5	75/63	16.0	11.8	21.4	1.57	10.20	60	29.1	24.1	1.45	5.88														
		80/67	17.6	12.4	23.1	1.62	10.90	70	28.0	22.4	1.64	5.01														
		85/71	19.2	13.0	24.8	1.64	11.70	80	26.9	21.1	1.68	4.68														
	9.0	75/63	16.4	11.9	21.5	1.48	11.10	60	30.7	25.3	1.59	5.66														
		80/67	18.0	12.5	23.1	1.51	11.90	70	29.6	23.9	1.67	5.18														
		85/71	19.6	13.1	24.8	1.54	12.70	80	28.5	22.5	1.76	4.74														
100	7.5	75/63	14.9	11.4	20.9	1.75	8.50	Data Not Available																		
		80/67	16.3	11.9	22.4	1.79	9.15																			
		85/71	17.8	12.5	24.0	1.82	9.80																			
	9.0	75/63	15.3	11.5	20.9	1.63	9.35																			
		80/67	16.8	12.1	22.5	1.68	10.00																			
		85/71	18.2	12.6	24.1	1.71	10.65																			
110	7.5	75/63	13.8	10.9	20.7	2.03	6.80						Data Not Available													
		80/67	15.1	11.5	22.0	2.04	7.40																			
		85/71	16.5	12.0	23.6	2.09	7.90																			
	9.0	75/63	14.2	11.0	20.5	1.86	7.60																			
		80/67	15.6	11.6	22.1	1.92	8.10																			
		85/71	16.9	12.2	23.7	1.97	8.60																			

Units in GPM, F, 1000's of BTU's. Operation not recommended in shaded areas.

Specifications subject to change without notice.

N34 – High Capacity Operation

EWT	GPM	EAT	COOLING					HEATING								
		DB/WB	TC	SC	HR	KW	EER	EAT	HC	HE	KW	COP				
30	10.0	Data Not Available														
												60	40.9	28.4	3.65	3.28
												70	39.5	26.3	3.85	3.00
	80											38.3	24.3	4.08	2.75	
	12.0											60	42.1	29.5	3.68	3.35
												70	40.9	27.5	3.90	3.07
80												39.7	25.6	4.12	2.82	
40	10.0											60	47.1	34.3	3.73	3.70
												70	45.7	32.2	3.95	3.39
												80	44.2	29.9	4.17	3.10
	12.0											60	49.0	36.0	3.79	3.79
												70	47.4	33.7	4.01	3.46
		80	45.9	31.4	4.24	3.17										
50	10.0	75/63	50.3	33.4	59.8	2.79	18.00	60	53.5	40.5	3.80	4.12				
		80/67	55.1	35.0	64.9	2.87	19.20	70	51.9	38.1	4.03	3.77				
		85/71	60.1	36.6	70.1	2.95	20.40	80	50.1	35.5	4.25	3.45				
	12.0	75/63	50.9	33.8	60.0	2.66	19.10	60	55.9	42.6	3.88	4.22				
		80/67	55.7	35.4	65.0	2.73	20.40	70	53.9	39.9	4.10	3.85				
		85/71	60.7	37.0	70.2	2.80	21.70	80	52.1	37.3	4.33	3.52				
	60	10.0	75/63	48.6	33.0	59.0	3.07	15.85	60	59.6	46.1	3.93	4.44			
			80/67	53.2	34.6	63.9	3.15	16.90	70	57.6	43.4	4.16	4.06			
			85/71	58.0	36.2	68.9	3.21	18.05	80	55.5	40.5	4.39	3.71			
12.0		75/63	49.3	33.4	59.2	2.92	16.90	60	62.5	48.7	4.03	4.54				
		80/67	54.0	35.0	64.2	2.98	18.10	70	60.2	45.6	4.26	4.14				
		85/71	58.8	36.6	69.2	3.05	19.25	80	58.1	42.7	4.51	3.78				
70		10.0	75/63	46.9	32.6	58.6	3.42	13.70	60	65.7	51.9	4.04	4.76			
			80/67	51.3	34.2	63.3	3.51	14.60	70	63.3	48.7	4.27	4.34			
			85/71	55.9	35.8	68.0	3.56	15.70	80	60.9	45.5	4.50	3.96			
	12.0	75/63	47.7	33.0	58.8	3.24	14.70	60	69.1	54.8	4.16	4.86				
		80/67	52.3	34.6	63.6	3.31	15.80	70	66.5	51.5	4.40	4.43				
		85/71	56.9	36.2	68.4	3.39	16.80	80	64.1	48.2	4.66	4.03				
	80	10.0	75/63	44.5	31.8	57.5	3.80	11.70	60	70.9	57.2	4.02	5.17			
			80/67	48.8	33.4	62.1	3.90	12.50	70	68.3	53.2	4.42	4.53			
			85/71	53.2	35.0	66.7	3.95	13.45	80	65.6	49.8	4.61	4.17			
12.0		75/63	45.4	32.2	57.6	3.59	12.65	60	74.8	60.1	4.29	5.11				
		80/67	49.8	33.8	62.3	3.66	13.60	70	72.0	56.5	4.53	4.66				
		85/71	54.2	35.4	66.9	3.74	14.50	80	69.3	52.9	4.79	4.24				
90		10.0	75/63	42.1	30.9	56.9	4.34	9.70	60	76.1	62.4	3.99	5.58			
			80/67	46.3	32.6	61.5	4.45	10.40	70	73.3	57.7	4.56	4.71			
			85/71	50.5	34.2	65.9	4.51	11.20	80	70.3	54.2	4.70	4.38			
	12.0	75/63	43.1	31.3	57.0	4.06	10.60	60	80.5	65.4	4.40	5.36				
		80/67	47.3	33.0	61.4	4.15	11.40	70	77.5	61.6	4.65	4.88				
		85/71	51.5	34.6	65.9	4.22	12.20	80	74.5	57.7	4.91	4.44				
	100	10.0	75/63	39.1	29.8	55.8	4.89	8.00	Data Not Available							
			80/67	42.9	31.3	59.8	4.96	8.65								
			85/71	46.9	32.9	64.1	5.04	9.30								
12.0		75/63	40.1	30.1	55.5	4.53	8.85									
		80/67	44.1	31.7	59.9	4.64	9.50									
		85/71	48.0	33.3	64.1	4.73	10.15									
110	10.0	75/63	36.1	28.6	55.6	5.73	6.30									
		80/67	39.5	30.1	59.0	5.72	6.90									
		85/71	43.3	31.5	63.2	5.85	7.40									
	12.0	75/63	37.1	28.9	54.9	5.22	7.10									
		80/67	40.9	30.3	59.2	5.38	7.60									
		85/71	44.5	31.9	63.2	5.49	8.10									

Units in GPM, F, 1000's of BTU's. Operation not recommended in shaded areas.

Specifications subject to change without notice.

N34 – Medium Capacity Operation

EWT	GPM	EAT	COOLING					HEATING								
		DB/WB	TC	SC	HR	KW	EER	EAT	HC	HE	KW	COP				
30	6.3	Data Not Available														
												60	25.5	17.8	2.27	3.29
												70	24.7	16.5	2.40	3.01
	80											23.9	15.2	2.54	2.76	
	7.5											60	26.3	18.5	2.29	3.36
												70	25.5	17.2	2.43	3.08
80												24.8	16.0	2.57	2.83	
40	6.3											60	29.4	21.5	2.32	3.71
												70	28.5	20.1	2.46	3.40
												80	27.6	18.7	2.60	3.11
	7.5											60	30.6	22.5	2.36	3.80
												70	29.6	21.1	2.50	3.47
		80	28.7	19.6	2.64	3.18										
50	6.3	75/63	31.4	20.9	37.4	1.75	18.01	60	33.4	25.3	2.37	4.13				
		80/67	34.4	21.9	40.5	1.79	19.21	70	32.4	23.8	2.51	3.78				
		85/71	37.6	22.9	43.8	1.84	20.41	80	31.3	22.2	2.65	3.46				
	7.5	75/63	31.8	21.1	37.5	1.66	19.11	60	34.9	26.7	2.42	4.23				
		80/67	34.8	22.1	40.6	1.71	20.41	70	33.7	24.9	2.56	3.86				
		85/71	37.9	23.1	43.9	1.75	21.71	80	32.5	23.3	2.70	3.53				
60	6.3	75/63	30.4	20.6	36.9	1.91	15.86	60	37.2	28.9	2.45	4.45				
		80/67	33.2	21.6	39.9	1.97	16.91	70	36.0	27.1	2.59	4.07				
		85/71	36.2	22.6	43.1	2.01	18.06	80	34.7	25.3	2.73	3.72				
	7.5	75/63	30.8	20.9	37.0	1.82	16.91	60	39.0	30.5	2.51	4.55				
		80/67	33.7	21.9	40.1	1.86	18.11	70	37.6	28.5	2.66	4.15				
		85/71	36.7	22.9	43.3	1.91	19.26	80	36.3	26.7	2.81	3.79				
70	6.3	75/63	29.3	20.4	36.6	2.14	13.71	60	41.0	32.4	2.52	4.77				
		80/67	32.1	21.4	39.5	2.19	14.61	70	39.5	30.4	2.66	4.35				
		85/71	34.9	22.4	42.5	2.22	15.71	80	38.0	28.5	2.81	3.97				
	7.5	75/63	29.8	20.6	36.7	2.03	14.71	60	43.2	34.3	2.60	4.87				
		80/67	32.7	21.6	39.7	2.07	15.81	70	41.5	32.2	2.74	4.44				
		85/71	35.6	22.6	42.8	2.12	16.81	80	40.0	30.1	2.90	4.04				
80	6.3	75/63	27.8	19.9	35.9	2.37	11.71	60	44.3	35.7	2.51	5.18				
		80/67	30.5	20.9	38.8	2.44	12.51	70	42.7	33.3	2.76	4.54				
		85/71	33.2	21.9	41.7	2.47	13.46	80	41.0	31.2	2.87	4.18				
	7.5	75/63	28.4	20.1	36.0	2.24	12.66	60	46.7	37.6	2.67	5.12				
		80/67	31.1	21.1	38.9	2.29	13.61	70	45.0	35.3	2.83	4.67				
		85/71	33.9	22.1	41.8	2.33	14.51	80	43.3	33.1	2.99	4.25				
90	6.3	75/63	26.3	19.3	35.5	2.71	9.71	60	47.5	39.0	2.49	5.59				
		80/67	28.9	20.4	38.4	2.78	10.41	70	45.8	36.1	2.84	4.72				
		85/71	31.6	21.4	41.2	2.81	11.21	80	43.9	33.9	2.93	4.39				
	7.5	75/63	26.9	19.6	35.6	2.54	10.61	60	50.3	40.9	2.74	5.37				
		80/67	29.6	20.6	38.4	2.59	11.41	70	48.4	38.5	2.90	4.89				
		85/71	32.2	21.6	41.2	2.64	12.21	80	46.5	36.1	3.06	4.45				
100	6.3	75/63	24.4	18.6	34.8	3.05	8.01	Data Not Available								
		80/67	26.8	19.6	37.4	3.10	8.66									
		85/71	29.3	20.5	40.0	3.15	9.31									
	7.5	75/63	25.1	18.8	34.7	2.83	8.86									
		80/67	27.6	19.8	37.4	2.90	9.51									
		85/71	30.0	20.8	40.1	2.95	10.16									
110	6.3	75/63	22.6	17.9	34.8	3.57	6.31									
		80/67	24.7	18.8	36.9	3.57	6.91									
		85/71	27.1	19.7	39.5	3.65	7.41									
	7.5	75/63	23.2	18.0	34.3	3.26	7.11									
		80/67	25.6	19.0	37.0	3.36	7.61									
		85/71	27.8	20.0	39.5	3.43	8.11									

Units in GPM, F, 1000's of BTU's. Operation not recommended in shaded areas.

Specifications subject to change without notice.

N34 – Low Capacity Operation

EWT	GPM	EAT	COOLING					HEATING																		
		DB/WB	TC	SC	HR	KW	EER	EAT	HC	HE	KW	COP														
30	3.8	Data Not Available										60	15.3	10.7	1.36	3.31										
												70	14.8	9.9	1.43	3.03										
												80	14.3	9.2	1.51	2.78										
	4.5											60	15.8	11.1	1.37	3.38										
												70	15.3	10.4	1.45	3.10										
												80	14.9	9.7	1.53	2.85										
40	3.8											Data Not Available										60	17.6	12.9	1.39	3.73
																						70	17.1	12.1	1.47	3.42
																						80	16.6	11.3	1.55	3.13
	4.5																					60	18.4	13.5	1.41	3.82
																						70	17.8	12.7	1.49	3.49
																						80	17.2	11.8	1.57	3.20
50	3.8	75/63	18.9	12.5	22.4	1.05	18.03	60	20.0	15.2	1.42											4.15				
		80/67	20.7	13.1	24.3	1.07	19.23	70	19.4	14.3	1.50											3.80				
		85/71	22.5	13.7	26.3	1.10	20.43	80	18.8	13.4	1.58											3.48				
	4.5	75/63	19.1	12.7	22.5	1.00	19.13	60	20.9	16.0	1.44											4.25				
		80/67	20.9	13.3	24.4	1.02	20.43	70	20.2	15.0	1.53											3.88				
		85/71	22.8	13.9	26.3	1.05	21.73	80	19.5	14.0	1.61											3.55				
60	3.8	75/63	18.2	12.4	22.1	1.15	15.88	60	22.3	17.3	1.46	4.47														
		80/67	19.9	13.0	24.0	1.18	16.93	70	21.6	16.3	1.55	4.09														
		85/71	21.7	13.6	25.8	1.20	18.08	80	20.8	15.2	1.63	3.74														
	4.5	75/63	18.5	12.5	22.2	1.09	16.93	60	23.4	18.3	1.50	4.57														
		80/67	20.2	13.1	24.1	1.12	18.13	70	22.6	17.1	1.59	4.17														
		85/71	22.0	13.7	25.9	1.14	19.28	80	21.8	16.0	1.68	3.81														
70	3.8	75/63	17.6	12.2	22.0	1.28	13.73	60	24.6	19.5	1.51	4.79														
		80/67	19.2	12.8	23.7	1.31	14.63	70	23.7	18.3	1.59	4.37														
		85/71	21.0	13.4	25.5	1.33	15.73	80	22.8	17.1	1.68	3.99														
	4.5	75/63	17.9	12.4	22.0	1.21	14.73	60	25.9	20.6	1.55	4.89														
		80/67	19.6	13.0	23.8	1.24	15.83	70	24.9	19.3	1.64	4.46														
		85/71	21.3	13.6	25.7	1.27	16.83	80	24.0	18.1	1.73	4.06														
80	3.8	75/63	16.7	11.9	21.5	1.42	11.73	60	26.6	21.5	1.50	5.20														
		80/67	18.3	12.5	23.3	1.46	12.53	70	25.6	20.0	1.65	4.56														
		85/71	19.9	13.1	25.0	1.48	13.48	80	24.6	18.7	1.72	4.20														
	4.5	75/63	17.0	12.1	21.6	1.34	12.68	60	28.0	22.6	1.60	5.14														
		80/67	18.7	12.7	23.3	1.37	13.63	70	27.0	21.2	1.69	4.69														
		85/71	20.3	13.3	25.1	1.40	14.53	80	26.0	19.9	1.78	4.27														
90	3.8	75/63	15.8	11.6	21.3	1.62	9.73	60	28.5	23.4	1.49	5.61														
		80/67	17.4	12.2	23.0	1.66	10.43	70	27.5	21.7	1.70	4.74														
		85/71	18.9	12.8	24.7	1.69	11.23	80	26.3	20.4	1.75	4.41														
	4.5	75/63	16.2	11.8	21.3	1.52	10.63	60	30.2	24.6	1.64	5.39														
		80/67	17.7	12.4	23.0	1.55	11.43	70	29.0	23.1	1.73	4.91														
		85/71	19.3	13.0	24.7	1.58	12.23	80	27.9	21.7	1.83	4.47														
100	3.8	75/63	14.7	11.2	20.9	1.83	8.03	Data Not Available																		
		80/67	16.1	11.7	22.4	1.85	8.68																			
		85/71	17.6	12.3	24.0	1.88	9.33																			
	4.5	75/63	15.0	11.3	20.8	1.69	8.88																			
		80/67	16.5	11.9	22.5	1.73	9.53																			
		85/71	18.0	12.5	24.0	1.77	10.18																			
110	3.8	75/63	13.5	10.7	20.8	2.14	6.33						Data Not Available													
		80/67	14.8	11.3	22.1	2.14	6.93																			
		85/71	16.2	11.8	23.7	2.18	7.43																			
	4.5	75/63	13.9	10.8	20.6	1.95	7.13																			
		80/67	15.3	11.4	22.2	2.01	7.63																			
		85/71	16.7	12.0	23.7	2.05	8.13																			

Units in GPM, F, 1000's of BTU's. Operation not recommended in shaded areas.

Specifications subject to change without notice.

N35 – High Capacity Operation

EWT	GPM	EAT	COOLING					HEATING																		
		DB/WB	TC	SC	HR	KW	EER	EAT	HC	HE	KW	COP														
30	12.5	Data Not Available																								
												60	51.1	35.7	4.49	3.33										
												70	49.3	33.1	4.74	3.05										
	80											47.8	30.7	5.01	2.80											
	15.0											60	52.6	37.1	4.53	3.40										
												70	51.1	34.7	4.80	3.12										
80												49.6	32.3	5.06	2.87											
40	12.5											Data Not Available														
																						60	58.8	43.1	4.60	3.75
																						70	57.1	40.5	4.87	3.44
	80																					55.2	37.7	5.14	3.15	
	15.0																					60	61.2	45.2	4.68	3.84
		70	59.2	42.3	4.94	3.51																				
80		57.3	39.5	5.22	3.22																					
50	12.5	75/63	62.9	41.8	74.6	3.45	18.20	60	66.8	50.8	4.70											4.17				
		80/67	68.9	43.8	81.0	3.55	19.40	70	64.8	47.9	4.97											3.82				
		85/71	75.1	45.8	87.6	3.65	20.60	80	62.6	44.7	5.24											3.50				
	15.0	75/63	63.6	42.3	74.9	3.30	19.30	60	69.8	53.5	4.79											4.27				
		80/67	69.6	44.3	81.1	3.38	20.60	70	67.3	50.1	5.06											3.90				
		85/71	75.9	46.2	87.7	3.46	21.90	80	65.1	46.8	5.34	3.57														
60	12.5	75/63	60.7	41.3	73.6	3.78	16.05	60	74.4	57.9	4.86	4.49														
		80/67	66.5	43.3	79.8	3.89	17.10	70	71.9	54.4	5.14	4.11														
		85/71	72.5	45.3	86.0	3.97	18.25	80	69.3	50.9	5.41	3.76														
	15.0	75/63	61.6	41.8	73.9	3.60	17.10	60	78.1	61.1	4.99	4.59														
		80/67	67.5	43.8	80.1	3.69	18.30	70	75.2	57.3	5.26	4.19														
		85/71	73.5	45.7	86.4	3.78	19.45	80	72.6	53.6	5.56	3.83														
70	12.5	75/63	58.6	40.7	73.0	4.22	13.90	60	82.1	65.0	5.00	4.81														
		80/67	64.1	42.7	78.9	4.33	14.80	70	79.1	61.1	5.28	4.39														
		85/71	69.9	44.7	84.9	4.39	15.90	80	76.1	57.1	5.56	4.01														
	15.0	75/63	59.6	41.2	73.3	4.00	14.90	60	86.3	68.7	5.15	4.91														
		80/67	65.4	43.2	79.3	4.09	16.00	70	83.1	64.5	5.43	4.48														
		85/71	71.1	45.2	85.4	4.18	17.00	80	80.1	60.4	5.75	4.08														
80	12.5	75/63	55.6	39.7	71.6	4.67	11.90	60	88.6	71.6	4.97	5.22														
		80/67	61.0	41.7	77.4	4.80	12.70	70	85.3	66.7	5.47	4.58														
		85/71	66.5	43.7	83.1	4.87	13.65	80	81.9	62.5	5.69	4.22														
	15.0	75/63	56.7	40.2	71.8	4.42	12.85	60	93.4	75.3	5.31	5.16														
		80/67	62.2	42.2	77.6	4.51	13.80	70	89.9	70.8	5.60	4.71														
		85/71	67.7	44.2	83.5	4.61	14.70	80	86.6	66.4	5.92	4.29														
90	12.5	75/63	52.6	38.7	70.7	5.31	9.90	60	95.1	78.2	4.95	5.63														
		80/67	57.9	40.7	76.5	5.46	10.60	70	91.6	72.3	5.64	4.76														
		85/71	63.1	42.7	82.0	5.54	11.40	80	87.8	68.0	5.81	4.43														
	15.0	75/63	53.9	39.2	70.9	4.99	10.80	60	100.6	82.0	5.45	5.41														
		80/67	59.1	41.2	76.5	5.10	11.60	70	96.8	77.2	5.76	4.93														
		85/71	64.4	43.2	82.1	5.19	12.40	80	93.1	72.3	6.08	4.49														
100	12.5	75/63	48.9	37.2	69.2	5.96	8.20	Data Not Available																		
		80/67	53.6	39.2	74.3	6.06	8.85																			
		85/71	58.6	41.1	79.7	6.17	9.50																			
	15.0	75/63	50.1	37.6	69.0	5.54	9.05																			
		80/67	55.1	39.6	74.5	5.68	9.70																			
		85/71	60.0	41.6	79.8	5.80	10.35																			
110	12.5	75/63	45.1	35.8	68.8	6.94	6.50						Data Not Available													
		80/67	49.4	37.6	73.1	6.95	7.10																			
		85/71	54.1	39.4	78.4	7.12	7.60																			
	15.0	75/63	46.4	36.1	68.0	6.35	7.30																			
		80/67	51.1	37.9	73.5	6.55	7.80																			
		85/71	55.6	39.9	78.5	6.70	8.30																			

Units in GPM, F, 1000's of BTU's. Operation not recommended in shaded areas.

Specifications subject to change without notice.

N35 – Medium Capacity Operation

EWT	GPM	EAT DB/WB	COOLING					HEATING					
			TC	SC	HR	KW	EER	EAT	HC	HE	KW	COP	
30	7.5	Data Not Available	60	30.6	21.5	2.68	3.35						
			70	29.6	20.0	2.83	3.07						
			80	28.7	18.5	2.98	2.82						
	9.0		60	31.5	22.3	2.70	3.42						
			70	30.6	20.9	2.86	3.14						
			80	29.7	19.5	3.02	2.89						
40	7.5		60	35.3	25.9	2.74	3.77						
			70	34.2	24.3	2.90	3.46						
			80	33.1	22.7	3.06	3.17						
	9.0		60	36.7	27.2	2.79	3.86						
			70	35.5	25.5	2.95	3.53						
			80	34.4	23.8	3.11	3.24						
50	7.5		75/63	37.7	25.1	44.8	2.07	18.22	60	40.1	30.5	2.80	4.19
			80/67	41.3	26.3	48.6	2.13	19.42	70	38.9	28.8	2.97	3.84
			85/71	45.1	27.5	52.5	2.19	20.62	80	37.5	26.9	3.13	3.52
	9.0	75/63	38.2	25.4	44.9	1.98	19.32	60	41.9	32.1	2.86	4.29	
		80/67	41.8	26.6	48.7	2.03	20.62	70	40.4	30.1	3.02	3.92	
		85/71	45.5	27.7	52.6	2.08	21.92	80	39.0	28.2	3.19	3.59	
60	7.5	75/63	36.4	24.8	44.2	2.27	16.07	60	44.7	34.8	2.90	4.51	
		80/67	39.9	26.0	47.8	2.33	17.12	70	43.2	32.7	3.07	4.13	
		85/71	43.5	27.2	51.6	2.38	18.27	80	41.6	30.6	3.23	3.78	
	9.0	75/63	37.0	25.1	44.3	2.16	17.12	60	46.8	36.7	2.98	4.61	
		80/67	40.5	26.3	48.0	2.21	18.32	70	45.1	34.4	3.14	4.21	
		85/71	44.1	27.4	51.8	2.26	19.47	80	43.5	32.2	3.32	3.85	
70	7.5	75/63	35.2	24.4	43.8	2.53	13.92	60	49.2	39.0	2.99	4.83	
		80/67	38.5	25.6	47.3	2.60	14.82	70	47.4	36.7	3.15	4.41	
		85/71	41.9	26.8	50.9	2.63	15.92	80	45.6	34.3	3.32	4.03	
	9.0	75/63	35.8	24.7	43.9	2.40	14.92	60	51.8	41.3	3.08	4.93	
		80/67	39.2	25.9	47.6	2.45	16.02	70	49.8	38.8	3.25	4.50	
		85/71	42.7	27.1	51.2	2.51	17.02	80	48.0	36.3	3.43	4.10	
80	7.5	75/63	33.4	23.8	42.9	2.80	11.92	60	53.1	43.0	2.97	5.24	
		80/67	36.6	25.0	46.4	2.88	12.72	70	51.2	40.1	3.27	4.60	
		85/71	39.9	26.2	49.8	2.92	13.67	80	49.2	37.6	3.40	4.24	
	9.0	75/63	34.0	24.1	43.1	2.64	12.87	60	56.1	45.2	3.17	5.18	
		80/67	37.3	25.3	46.6	2.70	13.82	70	54.0	42.5	3.35	4.73	
		85/71	40.6	26.5	50.1	2.76	14.72	80	51.9	39.9	3.54	4.31	
90	7.5	75/63	31.6	23.2	42.4	3.18	9.92	60	57.0	46.9	2.96	5.65	
		80/67	34.7	24.4	45.9	3.27	10.62	70	54.9	43.4	3.37	4.78	
		85/71	37.9	25.6	49.2	3.32	11.42	80	52.7	40.9	3.47	4.45	
	9.0	75/63	32.3	23.5	42.5	2.99	10.82	60	60.3	49.2	3.26	5.43	
		80/67	35.5	24.7	45.9	3.05	11.62	70	58.1	46.4	3.44	4.95	
		85/71	38.6	25.9	49.2	3.11	12.42	80	55.8	43.5	3.63	4.51	
100	7.5	75/63	29.3	22.3	41.5	3.57	8.22	Data Not Available					
		80/67	32.2	23.5	44.5	3.63	8.87						
		85/71	35.2	24.6	47.8	3.69	9.52						
	9.0	75/63	30.1	22.6	41.4	3.31	9.07						
		80/67	33.1	23.7	44.7	3.40	9.72						
		85/71	36.0	24.9	47.8	3.47	10.37						
110	7.5	75/63	27.1	21.5	41.2	4.15	6.52						
		80/67	29.6	22.6	43.8	4.16	7.12						
		85/71	32.5	23.6	47.0	4.26	7.62						
	9.0	75/63	27.8	21.6	40.8	3.80	7.32						
		80/67	30.7	22.7	44.0	3.92	7.82						
		85/71	33.4	24.0	47.0	4.01	8.32						

Units in GPM, F, 1000's of BTU's. Operation not recommended in shaded areas.

Specifications subject to change without notice.

N35 – Low Capacity Operation

EWT	GPM	EAT	COOLING					HEATING								
		DB/WB	TC	SC	HR	KW	EER	EAT	HC	HE	KW	COP				
30	5.0	Data Not Available														
												60	20.4	14.3	1.79	3.34
												70	19.7	13.3	1.89	3.06
	80											19.1	12.3	2.00	2.81	
	6.0											60	21.0	14.9	1.81	3.41
												70	20.4	13.9	1.91	3.13
80												19.8	12.9	2.02	2.88	
40	5.0											60	23.5	17.3	1.83	3.76
												70	22.8	16.2	1.94	3.45
												80	22.1	15.1	2.05	3.16
	6.0											60	24.5	18.1	1.87	3.85
												70	23.7	17.0	1.97	3.52
		80	22.9	15.8	2.08	3.23										
50	5.0	75/63	25.1	16.7	29.9	1.40	17.98	60	26.7	20.3	1.87	4.18				
		80/67	27.5	17.5	32.4	1.44	19.18	70	25.9	19.2	1.98	3.83				
		85/71	30.0	18.3	35.1	1.47	20.38	80	25.0	17.9	2.09	3.51				
	6.0	75/63	25.4	16.9	30.0	1.33	19.08	60	27.9	21.4	1.91	4.28				
		80/67	27.8	17.7	32.5	1.37	20.38	70	26.9	20.0	2.02	3.91				
		85/71	30.3	18.5	35.1	1.40	21.68	80	26.0	18.8	2.13	3.58				
60	5.0	75/63	24.3	16.5	29.5	1.53	15.83	60	29.8	23.2	1.94	4.50				
		80/67	26.6	17.3	32.0	1.58	16.88	70	28.8	21.8	2.05	4.12				
		85/71	29.0	18.1	34.5	1.61	18.03	80	27.7	20.4	2.16	3.77				
	6.0	75/63	24.6	16.7	29.6	1.46	16.88	60	31.2	24.4	1.99	4.60				
		80/67	27.0	17.5	32.1	1.49	18.08	70	30.1	22.9	2.10	4.20				
		85/71	29.4	18.3	34.6	1.53	19.23	80	29.0	21.5	2.22	3.84				
70	5.0	75/63	23.4	16.3	29.3	1.71	13.68	60	32.8	26.0	2.00	4.82				
		80/67	25.6	17.1	31.6	1.76	14.58	70	31.6	24.4	2.11	4.40				
		85/71	27.9	17.9	34.0	1.78	15.68	80	30.4	22.9	2.22	4.02				
	6.0	75/63	23.8	16.5	29.4	1.62	14.68	60	34.5	27.5	2.06	4.92				
		80/67	26.1	17.3	31.8	1.66	15.78	70	33.2	25.8	2.17	4.49				
		85/71	28.4	18.1	34.2	1.70	16.78	80	32.0	24.2	2.30	4.09				
80	5.0	75/63	22.2	15.9	28.7	1.90	11.68	60	35.4	28.7	1.99	5.23				
		80/67	24.4	16.7	31.1	1.95	12.48	70	34.1	26.7	2.18	4.59				
		85/71	26.6	17.5	33.4	1.98	13.43	80	32.8	25.0	2.27	4.23				
	6.0	75/63	22.7	16.1	28.8	1.80	12.63	60	37.4	30.1	2.12	5.17				
		80/67	24.9	16.9	31.1	1.83	13.58	70	36.0	28.3	2.24	4.72				
		85/71	27.1	17.7	33.5	1.87	14.48	80	34.6	26.6	2.36	4.30				
90	5.0	75/63	21.0	15.5	28.5	2.17	9.68	60	38.0	31.3	1.98	5.64				
		80/67	23.1	16.3	30.8	2.23	10.38	70	36.6	28.9	2.25	4.77				
		85/71	25.2	17.1	32.9	2.26	11.18	80	35.1	27.2	2.32	4.44				
	6.0	75/63	21.5	15.7	28.5	2.04	10.58	60	40.2	32.8	2.18	5.42				
		80/67	23.6	16.5	30.7	2.08	11.38	70	38.7	30.9	2.30	4.94				
		85/71	25.7	17.3	33.0	2.11	12.18	80	37.2	29.0	2.42	4.50				
100	5.0	75/63	19.5	14.9	27.9	2.45	7.98	Data Not Available								
		80/67	21.4	15.7	29.9	2.48	8.63									
		85/71	23.4	16.4	32.1	2.53	9.28									
	6.0	75/63	20.0	15.1	27.8	2.27	8.83									
		80/67	22.0	15.8	30.0	2.33	9.48									
		85/71	24.0	16.6	32.1	2.37	10.13									
110	5.0	75/63	18.0	14.3	27.8	2.87	6.28									
		80/67	19.7	15.0	29.5	2.87	6.88									
		85/71	21.6	15.8	31.7	2.93	7.38									
	6.0	75/63	18.5	14.4	27.5	2.62	7.08									
		80/67	20.4	15.2	29.6	2.70	7.58									
		85/71	22.2	16.0	31.6	2.75	8.08									

Units in GPM, F, 1000's of BTU's. Operation not recommended in shaded areas.

Specifications subject to change without notice.

N36 – High Capacity Operation

EWT	GPM	EAT	COOLING					HEATING																								
		DB/WB	TC	SC	HR	KW	EER	EAT	HC	HE	KW	COP																				
30	15.0	Data Not Available																														
												60	61.3	42.5	5.49	3.27																
												70	59.2	39.4	5.80	2.99																
	80											57.4	36.4	6.14	2.74																	
	18.0											60	63.1	44.2	5.54	3.34																
												70	61.3	41.3	5.87	3.06																
80												59.5	38.3	6.20	2.81																	
40	15.0											Data Not Available																				
																						60	70.6	51.5	5.61	3.69						
																						70	68.5	48.2	5.95	3.38						
	80																					66.2	44.8	6.28	3.09							
	18.0																					60	73.4	54.0	5.70	3.78						
																						70	71.0	50.4	6.03	3.45						
80																						68.8	47.0	6.38	3.16							
50	15.0																					75/63	75.4	50.2	89.7	4.19	17.99	60	80.2	60.7	5.72	4.11
																						80/67	82.6	52.6	97.3	4.31	19.19	70	77.8	57.1	6.06	3.76
																						85/71	90.1	54.9	105.2	4.42	20.39	80	75.1	53.3	6.40	3.44
	18.0																					75/63	76.3	50.7	90.0	4.00	19.09	60	83.8	63.9	5.83	4.21
		80/67	83.5	53.1	97.5	4.10	20.39	70	80.8	59.7	6.17											3.84										
		85/71	91.0	55.5	105.4	4.20	21.69	80	78.1	55.8	6.52											3.51										
	60	15.0	75/63	72.9	49.5	88.6	4.60	15.84	60	89.3	69.2											5.91	4.43									
			80/67	79.8	51.9	95.9	4.72	16.89	70	86.3	65.0											6.26	4.05									
			85/71	87.0	54.3	103.4	4.82	18.04	80	83.2	60.7											6.60	3.70									
18.0		75/63	73.9	50.1	88.9	4.38	16.89	60	93.7	73.0	6.06											4.53										
		80/67	81.0	52.5	96.3	4.48	18.09	70	90.2	68.4	6.40											4.13										
		85/71	88.2	54.9	103.8	4.58	19.24	80	87.1	64.0	6.78	3.77																				
70		15.0	75/63	70.3	48.9	87.9	5.14	13.69	60	98.5	77.8	6.08	4.75																			
			80/67	76.9	51.3	94.9	5.27	14.59	70	94.9	73.0	6.42	4.33																			
			85/71	83.8	53.7	102.1	5.34	15.69	80	91.3	68.2	6.77	3.95																			
	18.0	75/63	71.5	49.5	88.1	4.87	14.69	60	103.6	82.2	6.26	4.85																				
		80/67	78.4	51.9	95.4	4.97	15.79	70	99.7	77.1	6.61	4.42																				
		85/71	85.3	54.3	102.7	5.08	16.79	80	96.1	72.2	7.01	4.02																				
	80	15.0	75/63	66.7	47.6	86.2	5.71	11.69	60	106.3	85.7	6.04	5.16																			
			80/67	73.2	50.1	93.2	5.86	12.49	70	102.4	79.7	6.65	4.52																			
			85/71	79.8	52.5	100.0	5.94	13.44	80	98.3	74.7	6.93	4.16																			
18.0		75/63	68.1	48.2	86.5	5.39	12.64	60	112.1	90.1	6.44	5.10																				
		80/67	74.7	50.7	93.4	5.50	13.59	70	107.9	84.7	6.81	4.65																				
		85/71	81.3	53.1	100.4	5.61	14.49	80	103.9	79.3	7.21	4.23																				
90		15.0	75/63	63.1	46.4	85.4	6.52	9.69	60	114.1	93.6	6.00	5.57																			
			80/67	69.4	48.8	92.2	6.68	10.39	70	109.9	86.5	6.85	4.70																			
			85/71	75.7	51.3	98.8	6.77	11.19	80	105.4	81.3	7.07	4.37																			
	18.0	75/63	64.6	47.0	85.5	6.10	10.59	60	120.7	98.1	6.61	5.35																				
		80/67	70.9	49.4	92.2	6.23	11.39	70	116.2	92.3	6.99	4.87																				
		85/71	77.2	51.8	98.8	6.34	12.19	80	111.7	86.5	7.39	4.43																				
	100	15.0	75/63	58.6	44.7	83.7	7.34	7.99	Data Not Available																							
			80/67	64.3	47.0	89.7	7.45	8.64																								
			85/71	70.3	49.3	96.2	7.57	9.29																								
18.0		75/63	60.1	45.2	83.3	6.80	8.84																									
		80/67	66.1	47.5	89.9	6.97	9.49																									
		85/71	72.0	49.9	96.2	7.10	10.14																									
110	15.0	75/63	54.1	42.9	83.5	8.61	6.29																									
		80/67	59.2	45.1	88.6	8.60	6.89																									
		85/71	64.9	47.3	94.9	8.79	7.39																									
	18.0	75/63	55.6	43.3	82.4	7.85	7.09																									
		80/67	61.3	45.5	88.9	8.08	7.59																									
		85/71	66.7	47.9	94.9	8.25	8.09																									

Units in GPM, F, 1000's of BTU's. Operation not recommended in shaded areas.

Specifications subject to change without notice.

N36 – Medium Capacity Operation

EWT	GPM	EAT	COOLING					HEATING					
			DB/WB	TC	SC	HR	KW	EER	EAT	HC	HE	KW	COP
30	8.8	Data Not Available	60	35.7	24.8	3.19	3.28	60	46.8	35.4	3.33	4.12	
			70	34.5	23.0	3.37	3.00	70	45.4	33.3	3.53	3.77	
			80	33.5	21.3	3.57	2.75	80	43.8	31.1	3.72	3.45	
	10.5		60	36.8	25.8	3.22	3.35	60	48.9	37.3	3.39	4.22	
			70	35.7	24.1	3.41	3.07	70	47.1	34.9	3.59	3.85	
			80	34.7	22.4	3.61	2.82	80	45.5	32.6	3.79	3.52	
40	8.8	Data Not Available	60	41.2	30.1	3.26	3.70	60	52.1	40.4	3.44	4.44	
			70	40.0	28.1	3.46	3.39	70	50.4	37.9	3.64	4.06	
			80	38.6	26.2	3.65	3.10	80	48.5	35.4	3.84	3.71	
	10.5		60	42.8	31.5	3.32	3.79	60	54.7	42.6	3.53	4.54	
			70	41.4	29.5	3.51	3.46	70	52.6	39.9	3.73	4.14	
			80	40.1	27.5	3.71	3.17	80	50.8	37.3	3.94	3.78	
50	8.8	75/63	44.0	29.3	52.3	2.44	18.01	60	57.4	45.4	3.54	4.76	
		80/67	48.2	30.7	56.8	2.51	19.21	70	55.3	42.6	3.74	4.34	
		85/71	52.6	32.0	61.4	2.58	20.41	80	53.2	39.8	3.94	3.96	
	10.5	75/63	44.5	29.6	52.5	2.33	19.11	60	60.4	48.0	3.64	4.86	
		80/67	48.7	31.0	56.9	2.39	20.41	70	58.1	45.0	3.85	4.43	
		85/71	53.1	32.4	61.4	2.45	21.71	80	56.0	42.1	4.08	4.03	
	60	8.8	75/63	42.5	28.9	51.7	2.68	15.86	60	62.0	50.0	3.51	5.11
			80/67	46.5	30.3	55.9	2.75	16.91	70	59.7	46.5	3.87	4.53
			85/71	50.7	31.7	60.3	2.81	18.06	80	57.4	43.6	4.03	4.17
10.5		75/63	43.1	29.2	51.8	2.55	16.91	60	65.4	52.6	3.75	5.11	
		80/67	47.2	30.6	56.1	2.61	18.11	70	63.0	49.4	3.96	4.66	
		85/71	51.4	32.0	60.6	2.67	19.26	80	60.6	46.3	4.19	4.24	
70		8.8	75/63	41.0	28.5	51.2	2.99	13.71	60	66.5	54.6	3.50	5.58
			80/67	44.9	29.9	55.4	3.07	14.61	70	64.1	50.5	3.99	4.71
			85/71	48.9	31.3	59.5	3.11	15.71	80	61.5	47.4	4.11	4.38
	10.5	75/63	41.7	28.9	51.4	2.84	14.71	60	70.4	57.3	3.85	5.36	
		80/67	45.8	30.3	55.6	2.89	15.81	70	67.8	53.9	4.07	4.88	
		85/71	49.8	31.7	59.9	2.96	16.81	80	65.1	50.5	4.30	4.44	
	80	8.8	75/63	38.9	27.8	50.3	3.32	11.71	60	66.5	54.6	3.50	5.58
			80/67	42.7	29.2	54.3	3.41	12.51	70	64.1	50.5	3.99	4.71
			85/71	46.5	30.6	58.3	3.46	13.46	80	61.5	47.4	4.11	4.38
10.5		75/63	39.7	28.1	50.4	3.14	12.66	60	70.4	57.3	3.85	5.36	
		80/67	43.6	29.6	54.5	3.20	13.61	70	67.8	53.9	4.07	4.88	
		85/71	47.4	31.0	58.6	3.27	14.51	80	65.1	50.5	4.30	4.44	
90		8.8	75/63	36.8	27.1	49.8	3.79	9.71	60	66.5	54.6	3.50	5.58
			80/67	40.5	28.5	53.8	3.89	10.41	70	64.1	50.5	3.99	4.71
			85/71	44.2	29.9	57.6	3.94	11.21	80	61.5	47.4	4.11	4.38
	10.5	75/63	37.7	27.4	49.8	3.55	10.61	60	70.4	57.3	3.85	5.36	
		80/67	41.4	28.8	53.8	3.63	11.41	70	67.8	53.9	4.07	4.88	
		85/71	45.1	30.2	57.6	3.69	12.21	80	65.1	50.5	4.30	4.44	
	100	8.8	75/63	34.2	26.1	48.8	4.27	8.01	Data Not Available				
			80/67	37.5	27.4	52.3	4.33	8.66					
			85/71	41.0	28.7	56.1	4.41	9.31					
10.5		75/63	35.1	26.3	48.6	3.96	8.86						
		80/67	38.6	27.7	52.4	4.06	9.51						
		85/71	42.0	29.1	56.1	4.13	10.16						
110	8.8	75/63	31.6	25.0	48.7	5.00	6.31	Data Not Available					
		80/67	34.6	26.3	51.6	5.00	6.91						
		85/71	37.9	27.6	55.3	5.11	7.41						
	10.5	75/63	32.5	25.3	48.0	4.56	7.11						
		80/67	35.8	26.5	51.8	4.70	7.61						
		85/71	38.9	27.9	55.3	4.80	8.11						

Units in GPM, F, 1000's of BTU's. Operation not recommended in shaded areas.

Specifications subject to change without notice.

N36 – Low Capacity Operation

EWT	GPM	EAT	COOLING					HEATING																		
		DB/WB	TC	SC	HR	KW	EER	EAT	HC	HE	KW	COP														
30	6.3	Data Not Available										60	25.5	17.8	2.27	3.30										
												70	24.7	16.5	2.39	3.02										
												80	23.9	15.3	2.53	2.77										
	7.5											60	26.3	18.5	2.29	3.37										
												70	25.5	17.3	2.42	3.09										
												80	24.8	16.1	2.56	2.84										
40	6.3											Data Not Available										60	29.4	21.5	2.32	3.72
																						70	28.5	20.2	2.46	3.41
																						80	27.6	18.8	2.59	3.12
	7.5																					60	30.6	22.6	2.36	3.81
																						70	29.6	21.1	2.49	3.48
																						80	28.7	19.7	2.63	3.19
50	6.3	75/63	31.4	20.9	37.4	1.74	18.04	60	33.4	25.3	2.37											4.14				
		80/67	34.4	21.9	40.5	1.79	19.24	70	32.4	23.9	2.51											3.79				
		85/71	37.6	22.9	43.8	1.84	20.44	80	31.3	22.3	2.64											3.47				
	7.5	75/63	31.8	21.1	37.5	1.66	19.14	60	34.9	26.7	2.41											4.24				
		80/67	34.8	22.1	40.6	1.70	20.44	70	33.7	25.0	2.55											3.87				
		85/71	37.9	23.1	43.9	1.74	21.74	80	32.5	23.3	2.69											3.54				
	60	6.3	75/63	30.4	20.6	36.9	1.91	15.89	60	37.2	28.9	2.45	4.46													
			80/67	33.2	21.6	39.9	1.96	16.94	70	36.0	27.1	2.59	4.08													
			85/71	36.2	22.6	43.1	2.00	18.09	80	34.7	25.4	2.73	3.73													
7.5		75/63	30.8	20.9	37.0	1.82	16.94	60	39.0	30.5	2.51	4.56														
		80/67	33.7	21.9	40.1	1.86	18.14	70	37.6	28.6	2.65	4.16														
		85/71	36.7	22.9	43.2	1.90	19.29	80	36.3	26.7	2.80	3.80														
70	6.3	75/63	29.3	20.4	36.6	2.13	13.74	60	41.0	32.5	2.52	4.78														
		80/67	32.1	21.4	39.5	2.19	14.64	70	39.5	30.5	2.66	4.36														
		85/71	34.9	22.4	42.5	2.22	15.74	80	38.0	28.5	2.80	3.98														
	7.5	75/63	29.8	20.6	36.7	2.02	14.74	60	43.2	34.3	2.59	4.88														
		80/67	32.7	21.6	39.7	2.06	15.84	70	41.5	32.2	2.74	4.45														
		85/71	35.6	22.6	42.8	2.11	16.84	80	40.0	30.1	2.90	4.05														
80	6.3	75/63	27.8	19.9	35.9	2.37	11.74	60	44.3	35.8	2.50	5.19														
		80/67	30.5	20.9	38.8	2.43	12.54	70	42.7	33.3	2.75	4.55														
		85/71	33.2	21.9	41.7	2.46	13.49	80	41.0	31.2	2.87	4.19														
	7.5	75/63	28.4	20.1	36.0	2.24	12.69	60	46.7	37.6	2.67	5.13														
		80/67	31.1	21.1	38.9	2.28	13.64	70	45.0	35.4	2.82	4.68														
		85/71	33.9	22.1	41.8	2.33	14.54	80	43.3	33.1	2.98	4.26														
90	6.3	75/63	26.3	19.3	35.5	2.70	9.74	60	47.5	39.0	2.49	5.60														
		80/67	28.9	20.4	38.4	2.77	10.44	70	45.8	36.1	2.84	4.73														
		85/71	31.6	21.4	41.1	2.81	11.24	80	43.9	33.9	2.92	4.40														
	7.5	75/63	26.9	19.6	35.6	2.53	10.64	60	50.3	40.9	2.74	5.38														
		80/67	29.6	20.6	38.4	2.58	11.44	70	48.4	38.5	2.90	4.90														
		85/71	32.2	21.6	41.2	2.63	12.24	80	46.5	36.1	3.06	4.46														
100	6.3	75/63	24.4	18.6	34.8	3.04	8.04	Data Not Available																		
		80/67	26.8	19.6	37.3	3.08	8.69																			
		85/71	29.3	20.5	40.0	3.14	9.34																			
	7.5	75/63	25.1	18.8	34.7	2.82	8.89																			
		80/67	27.6	19.8	37.4	2.89	9.54																			
		85/71	30.0	20.8	40.0	2.94	10.19																			
110	6.3	75/63	22.6	17.9	34.7	3.56	6.34																			
		80/67	24.7	18.8	36.8	3.56	6.94																			
		85/71	27.1	19.7	39.5	3.64	7.44																			
	7.5	75/63	23.2	18.0	34.3	3.25	7.14																			
		80/67	25.6	19.0	37.0	3.34	7.64																			
		85/71	27.8	20.0	39.5	3.42	8.14																			

Units in GPM, F, 1000's of BTU's. Operation not recommended in shaded areas.

Specifications subject to change without notice.

N37 – High Capacity Operation

EWT	GPM	EAT	COOLING					HEATING																		
		DB/WB	TC	SC	HR	KW	EER	EAT	HC	HE	KW	COP														
30	17.5	Data Not Available										60	71.5	49.8	6.35	3.30										
												70	69.0	46.2	6.70	3.02										
												80	66.9	42.8	7.08	2.77										
	21.0											60	73.6	51.8	6.40	3.37										
												70	71.5	48.4	6.78	3.09										
												80	69.4	45.0	7.16	2.84										
40	17.5											Data Not Available										60	82.4	60.2	6.49	3.72
																						70	79.9	56.4	6.88	3.41
																						80	77.3	52.5	7.26	3.12
	21.0																					60	85.7	63.2	6.60	3.81
																						70	82.9	59.1	6.98	3.48
																						80	80.2	55.1	7.37	3.19
50	17.5	75/63	88.0	58.5	104.7	4.88	18.03	60	93.5	71.0	6.62											4.14				
		80/67	96.4	61.3	113.5	5.01	19.23	70	90.7	66.8	7.02											3.79				
		85/71	105.2	64.1	122.7	5.15	20.43	80	87.6	62.4	7.40											3.47				
	21.0	75/63	89.1	59.2	104.9	4.66	19.13	60	97.7	74.7	6.76											4.24				
		80/67	97.5	62.0	113.7	4.77	20.43	70	94.2	69.9	7.14											3.87				
		85/71	106.2	64.7	122.9	4.89	21.73	80	91.1	65.4	7.54											3.54				
60	17.5	75/63	85.0	57.8	103.3	5.35	15.88	60	104.2	80.9	6.85	4.46														
		80/67	93.1	60.6	111.8	5.50	16.93	70	100.7	76.0	7.24	4.08														
		85/71	101.5	63.4	120.6	5.61	18.08	80	97.0	71.0	7.64	3.73														
	21.0	75/63	86.3	58.5	103.6	5.09	16.93	60	109.3	85.3	7.03	4.56														
		80/67	94.5	61.3	112.3	5.21	18.13	70	105.3	80.0	7.42	4.16														
		85/71	102.9	64.0	121.1	5.34	19.28	80	101.6	74.8	7.85	3.80														
70	17.5	75/63	82.1	57.0	102.4	5.98	13.73	60	114.9	90.9	7.04	4.78														
		80/67	89.8	59.8	110.7	6.13	14.63	70	110.7	85.3	7.44	4.36														
		85/71	97.8	62.6	119.0	6.22	15.73	80	106.5	79.7	7.84	3.98														
	21.0	75/63	83.5	57.7	102.8	5.67	14.73	60	120.8	96.1	7.26	4.88														
		80/67	91.5	60.5	111.2	5.78	15.83	70	116.3	90.2	7.66	4.45														
		85/71	99.6	63.3	119.7	5.92	16.83	80	112.1	84.4	8.11	4.05														
80	17.5	75/63	77.9	55.6	100.5	6.64	11.73	60	124.0	100.1	7.00	5.19														
		80/67	85.4	58.4	108.6	6.81	12.53	70	119.4	93.2	7.70	4.55														
		85/71	93.1	61.2	116.6	6.90	13.48	80	114.7	87.3	8.02	4.19														
	21.0	75/63	79.4	56.3	100.8	6.26	12.68	60	130.8	105.3	7.47	5.13														
		80/67	87.1	59.1	108.9	6.39	13.63	70	125.9	99.0	7.89	4.68														
		85/71	94.8	61.9	117.1	6.53	14.53	80	121.2	92.7	8.35	4.26														
90	17.5	75/63	73.7	54.1	99.5	7.57	9.73	60	133.1	109.3	6.97	5.60														
		80/67	81.0	57.0	107.5	7.77	10.43	70	128.2	101.1	7.94	4.73														
		85/71	88.4	59.8	115.2	7.87	11.23	80	122.9	95.0	8.19	4.40														
	21.0	75/63	75.4	54.8	99.6	7.09	10.63	60	140.8	114.6	7.67	5.38														
		80/67	82.8	57.7	107.5	7.24	11.43	70	135.5	107.9	8.11	4.90														
		85/71	90.1	60.5	115.2	7.37	12.23	80	130.3	101.1	8.56	4.46														
100	17.5	75/63	68.4	52.1	97.5	8.52	8.03	Data Not Available																		
		80/67	75.1	54.8	104.6	8.65	8.68																			
		85/71	82.1	57.5	112.1	8.79	9.33																			
	21.0	75/63	70.2	52.7	97.1	7.90	8.88																			
		80/67	77.2	55.4	104.8	8.10	9.53																			
		85/71	84.0	58.2	112.1	8.25	10.18																			
110	17.5	75/63	63.2	50.1	97.2	9.98	6.33						Data Not Available													
		80/67	69.1	52.6	103.1	9.97	6.93																			
		85/71	75.8	55.2	110.5	10.20	7.43																			
	21.0	75/63	64.9	50.5	96.0	9.10	7.13																			
		80/67	71.6	53.1	103.6	9.38	7.63																			
		85/71	77.9	55.9	110.5	9.58	8.13																			

Units in GPM, F, 1000's of BTU's. Operation not recommended in shaded areas.

Specifications subject to change without notice.

N37 – Medium Capacity Operation

EWT	GPM	EAT DB/WB	COOLING					HEATING					
			TC	SC	HR	KW	EER	EAT	HC	HE	KW	COP	
30	10.0	Data Not Available	60	40.9	28.5	3.62	3.31						
			70	39.5	26.4	3.82	3.03						
			80	38.3	24.5	4.03	2.78						
	12.0		60	42.1	29.6	3.65	3.38						
			70	40.9	27.7	3.86	3.10						
			80	39.7	25.7	4.08	2.85						
40	10.0		60	47.1	34.4	3.70	3.73						
			70	45.7	32.3	3.92	3.42						
			80	44.2	30.0	4.13	3.13						
	12.0	60	49.0	36.1	3.76	3.82							
		70	47.4	33.8	3.98	3.49							
		80	45.9	31.5	4.20	3.20							
50	10.0	75/63	50.3	33.4	59.8	2.79	18.05	60	53.5	40.6	3.78	4.15	
		80/67	55.1	35.0	64.9	2.86	19.25	70	51.9	38.2	4.00	3.80	
		85/71	60.1	36.6	70.1	2.94	20.45	80	50.1	35.7	4.22	3.48	
	12.0	75/63	50.9	33.8	60.0	2.66	19.15	60	55.9	42.7	3.85	4.25	
		80/67	55.7	35.4	65.0	2.72	20.45	70	53.9	40.0	4.07	3.88	
		85/71	60.7	37.0	70.2	2.79	21.75	80	52.1	37.4	4.30	3.55	
	60	10.0	75/63	48.6	33.0	59.0	3.06	15.90	60	59.6	46.2	3.91	4.47
			80/67	53.2	34.6	63.9	3.14	16.95	70	57.6	43.5	4.13	4.09
			85/71	58.0	36.2	68.9	3.20	18.10	80	55.5	40.6	4.35	3.74
12.0		75/63	49.3	33.4	59.2	2.91	16.95	60	62.5	48.8	4.01	4.57	
		80/67	54.0	35.0	64.1	2.97	18.15	70	60.2	45.7	4.23	4.17	
		85/71	58.8	36.6	69.2	3.05	19.30	80	58.1	42.8	4.47	3.81	
70	10.0	75/63	46.9	32.6	58.5	3.41	13.75	60	65.7	51.9	4.02	4.79	
		80/67	51.3	34.2	63.2	3.50	14.65	70	63.3	48.8	4.24	4.37	
		85/71	55.9	35.8	68.0	3.55	15.75	80	60.9	45.6	4.47	3.99	
	12.0	75/63	47.7	33.0	58.7	3.23	14.75	60	69.1	54.9	4.14	4.89	
		80/67	52.3	34.6	63.5	3.30	15.85	70	66.5	51.6	4.37	4.46	
		85/71	56.9	36.2	68.4	3.38	16.85	80	64.1	48.3	4.62	4.06	
80	10.0	75/63	44.5	31.8	57.4	3.79	11.75	60	70.9	57.2	3.99	5.20	
		80/67	48.8	33.4	62.1	3.89	12.55	70	68.3	53.3	4.39	4.56	
		85/71	53.2	35.0	66.6	3.94	13.50	80	65.6	49.9	4.57	4.20	
	12.0	75/63	45.4	32.2	57.6	3.57	12.70	60	74.8	60.2	4.26	5.14	
		80/67	49.8	33.8	62.2	3.65	13.65	70	72.0	56.6	4.50	4.69	
		85/71	54.2	35.4	66.9	3.72	14.55	80	69.3	53.0	4.76	4.27	
90	10.0	75/63	42.1	30.9	56.8	4.32	9.75	60	76.1	62.5	3.97	5.61	
		80/67	46.3	32.6	61.4	4.43	10.45	70	73.3	57.8	4.53	4.74	
		85/71	50.5	34.2	65.8	4.49	11.25	80	70.3	54.3	4.67	4.41	
	12.0	75/63	43.1	31.3	56.9	4.05	10.65	60	80.5	65.5	4.37	5.39	
		80/67	47.3	33.0	61.4	4.13	11.45	70	77.5	61.7	4.62	4.91	
		85/71	51.5	34.6	65.8	4.20	12.25	80	74.5	57.8	4.88	4.47	
100	10.0	75/63	39.1	29.8	55.7	4.86	8.05	Data Not Available					
		80/67	42.9	31.3	59.7	4.93	8.70						
		85/71	46.9	32.9	64.0	5.01	9.35						
	12.0	75/63	40.1	30.1	55.5	4.50	8.90						
		80/67	44.1	31.7	59.8	4.62	9.55						
		85/71	48.0	33.3	64.0	4.70	10.20						
110	10.0	75/63	36.1	28.6	55.5	5.68	6.35						
		80/67	39.5	30.1	58.9	5.68	6.95						
		85/71	43.3	31.5	63.1	5.81	7.45						
	12.0	75/63	37.1	28.9	54.8	5.19	7.15						
		80/67	40.9	30.3	59.1	5.34	7.65						
		85/71	44.5	31.9	63.1	5.46	8.15						

Units in GPM, F, 1000's of BTU's. Operation not recommended in shaded areas.

Specifications subject to change without notice.

N37 – Low Capacity Operation

EWT	GPM	EAT	COOLING					HEATING																		
		DB/WB	TC	SC	HR	KW	EER	EAT	HC	HE	KW	COP														
30	7.5	Data Not Available										60	30.6	21.5	2.69	3.34										
												70	29.6	19.9	2.83	3.06										
												80	28.7	18.5	2.99	2.81										
	9.0											60	31.5	22.3	2.71	3.41										
												70	30.6	20.9	2.87	3.13										
												80	29.7	19.4	3.03	2.88										
40	7.5											Data Not Available										60	35.3	25.9	2.75	3.76
																						70	34.2	24.3	2.91	3.45
																						80	33.1	22.6	3.07	3.16
	9.0																					60	36.7	27.2	2.80	3.85
																						70	35.5	25.4	2.96	3.52
																						80	34.4	23.7	3.12	3.23
50	7.5	75/63	37.7	25.1	44.8	2.09	18.08	60	40.1	30.5	2.81											4.18				
		80/67	41.3	26.3	48.6	2.14	19.28	70	38.9	28.7	2.98											3.83				
		85/71	45.1	27.5	52.6	2.20	20.48	80	37.5	26.8	3.13											3.51				
	9.0	75/63	38.2	25.4	45.0	1.99	19.18	60	41.9	32.1	2.87											4.28				
		80/67	41.8	26.6	48.7	2.04	20.48	70	40.4	30.1	3.03											3.91				
		85/71	45.5	27.7	52.6	2.09	21.78	80	39.0	28.1	3.20											3.58				
60	7.5	75/63	36.4	24.8	44.2	2.29	15.93	60	44.7	34.7	2.91	4.50														
		80/67	39.9	26.0	47.9	2.35	16.98	70	43.2	32.7	3.07	4.12														
		85/71	43.5	27.2	51.7	2.40	18.13	80	41.6	30.5	3.24	3.77														
	9.0	75/63	37.0	25.1	44.4	2.18	16.98	60	46.8	36.7	2.98	4.60														
		80/67	40.5	26.3	48.1	2.23	18.18	70	45.1	34.4	3.15	4.20														
		85/71	44.1	27.4	51.9	2.28	19.33	80	43.5	32.2	3.33	3.84														
70	7.5	75/63	35.2	24.4	43.9	2.55	13.78	60	49.2	39.0	2.99	4.82														
		80/67	38.5	25.6	47.4	2.62	14.68	70	47.4	36.7	3.16	4.40														
		85/71	41.9	26.8	51.0	2.66	15.78	80	45.6	34.3	3.33	4.02														
	9.0	75/63	35.8	24.7	44.0	2.42	14.78	60	51.8	41.3	3.09	4.92														
		80/67	39.2	25.9	47.6	2.47	15.88	70	49.8	38.7	3.25	4.49														
		85/71	42.7	27.1	51.3	2.53	16.88	80	48.0	36.3	3.44	4.09														
80	7.5	75/63	33.4	23.8	43.0	2.83	11.78	60	53.1	43.0	2.98	5.23														
		80/67	36.6	25.0	46.5	2.91	12.58	70	51.2	40.0	3.27	4.59														
		85/71	39.9	26.2	50.0	2.95	13.53	80	49.2	37.5	3.41	4.23														
	9.0	75/63	34.0	24.1	43.2	2.67	12.73	60	56.1	45.2	3.18	5.17														
		80/67	37.3	25.3	46.7	2.73	13.68	70	54.0	42.5	3.35	4.72														
		85/71	40.6	26.5	50.2	2.79	14.58	80	51.9	39.8	3.54	4.30														
90	7.5	75/63	31.6	23.2	42.6	3.23	9.78	60	57.0	46.9	2.96	5.64														
		80/67	34.7	24.4	46.0	3.31	10.48	70	54.9	43.4	3.38	4.77														
		85/71	37.9	25.6	49.3	3.36	11.28	80	52.7	40.8	3.48	4.44														
	9.0	75/63	32.3	23.5	42.6	3.03	10.68	60	60.3	49.2	3.26	5.42														
		80/67	35.5	24.7	46.0	3.09	11.48	70	58.1	46.3	3.45	4.94														
		85/71	38.6	25.9	49.3	3.14	12.28	80	55.8	43.4	3.64	4.50														
100	7.5	75/63	29.3	22.3	41.7	3.63	8.08	Data Not Available																		
		80/67	32.2	23.5	44.7	3.68	8.73																			
		85/71	35.2	24.6	48.0	3.75	9.38																			
	9.0	75/63	30.1	22.6	41.6	3.37	8.93																			
		80/67	33.1	23.7	44.8	3.45	9.58																			
		85/71	36.0	24.9	48.0	3.52	10.23																			
110	7.5	75/63	27.1	21.5	41.5	4.24	6.38						Data Not Available													
		80/67	29.6	22.6	44.1	4.24	6.98																			
		85/71	32.5	23.6	47.3	4.34	7.48																			
	9.0	75/63	27.8	21.6	41.0	3.87	7.18																			
		80/67	30.7	22.7	44.3	3.99	7.68																			
		85/71	33.4	24.0	47.3	4.08	8.18																			

Units in GPM, F, 1000's of BTU's. Operation not recommended in shaded areas.

Specifications subject to change without notice.

N38 – High Capacity Operation

EWT	GPM	EAT	COOLING					HEATING																		
		DB/WB	TC	SC	HR	KW	EER	EAT	HC	HE	KW	COP														
30	20.0	Data Not Available										60	82.7	57.5	7.36	3.29										
												70	79.9	53.3	7.78	3.01										
												80	77.5	49.4	8.23	2.76										
	24.0											60	85.1	59.8	7.42	3.36										
												70	82.7	55.8	7.87	3.08										
												80	80.3	51.9	8.31	2.83										
40	20.0											Data Not Available										60	95.1	69.5	7.51	3.71
																						70	92.3	65.1	7.97	3.40
																						80	89.3	60.6	8.41	3.11
	24.0																					60	98.9	72.8	7.64	3.80
																						70	95.7	68.1	8.08	3.47
																						80	92.7	63.5	8.54	3.18
50	20.0	75/63	100.7	66.9	119.3	5.47	18.40	60	107.9	81.8	7.66											4.13				
		80/67	110.3	70.1	129.5	5.63	19.60	70	104.7	77.0	8.12											3.78				
		85/71	120.3	73.3	140.0	5.78	20.80	80	101.1	71.9	8.56											3.46				
	24.0	75/63	101.9	67.7	119.7	5.22	19.50	60	112.7	86.0	7.81											4.23				
		80/67	111.5	70.9	129.8	5.36	20.80	70	108.7	80.5	8.25											3.86				
		85/71	121.5	74.0	140.2	5.50	22.10	80	105.1	75.3	8.72											3.53				
	60	20.0	75/63	97.3	66.1	117.7	5.99	16.25	60	120.1	93.1	7.91	4.45													
			80/67	106.5	69.3	127.5	6.15	17.30	70	116.1	87.5	8.37	4.07													
			85/71	116.1	72.5	137.5	6.29	18.45	80	111.9	81.8	8.83	3.72													
24.0		75/63	98.7	66.9	118.1	5.70	17.30	60	125.9	98.2	8.11	4.55														
		80/67	108.1	70.1	128.0	5.84	18.50	70	121.3	92.1	8.56	4.15														
		85/71	117.7	73.2	138.1	5.99	19.65	80	117.1	86.1	9.07	3.79														
70	20.0	75/63	93.9	65.2	116.6	6.66	14.10	60	132.3	104.5	8.13	4.77														
		80/67	102.7	68.5	126.0	6.84	15.00	70	127.5	98.2	8.59	4.35														
		85/71	111.9	71.6	135.6	6.95	16.10	80	122.7	91.8	9.06	3.97														
	24.0	75/63	95.5	66.0	117.0	6.32	15.10	60	139.1	110.5	8.37	4.87														
		80/67	104.7	69.2	126.7	6.46	16.20	70	133.9	103.7	8.84	4.44														
		85/71	113.9	72.4	136.5	6.62	17.20	80	129.1	97.1	9.36	4.04														
80	20.0	75/63	89.1	63.6	114.2	7.36	12.10	60	142.7	115.1	8.07	5.18														
		80/67	97.7	66.8	123.5	7.57	12.90	70	137.5	107.2	8.88	4.54														
		85/71	106.5	70.0	132.7	7.69	13.85	80	132.1	100.5	9.26	4.18														
	24.0	75/63	90.9	64.4	114.6	6.96	13.05	60	150.5	121.1	8.61	5.12														
		80/67	99.7	67.6	124.0	7.12	14.00	70	144.9	113.8	9.10	4.67														
		85/71	108.5	70.8	133.3	7.28	14.90	80	139.5	106.6	9.63	4.25														
90	20.0	75/63	84.3	61.9	112.7	8.34	10.10	60	153.1	125.7	8.03	5.59														
		80/67	92.7	65.2	121.9	8.58	10.80	70	147.5	116.2	9.16	4.72														
		85/71	101.1	68.4	130.8	8.71	11.60	80	141.5	109.2	9.44	4.39														
	24.0	75/63	86.3	62.7	113.0	7.84	11.00	60	161.9	131.7	8.83	5.37														
		80/67	94.7	66.0	122.0	8.02	11.80	70	155.9	124.0	9.34	4.89														
		85/71	103.1	69.2	131.0	8.18	12.60	80	149.9	116.2	9.87	4.45														
100	20.0	75/63	78.3	59.6	110.1	9.32	8.40	Data Not Available																		
		80/67	85.9	62.7	118.2	9.49	9.05																			
		85/71	93.9	65.8	126.9	9.68	9.70																			
	24.0	75/63	80.3	60.3	109.9	8.68	9.25																			
		80/67	88.3	63.4	118.7	8.92	9.90																			
		85/71	96.1	66.6	127.1	9.11	10.55																			
110	20.0	75/63	72.3	57.3	109.1	10.79	6.70																			
		80/67	79.1	60.2	116.0	10.83	7.30																			
		85/71	86.7	63.1	124.6	11.11	7.80																			
	24.0	75/63	74.3	57.8	108.1	9.90	7.50																			
		80/67	81.9	60.7	116.8	10.23	8.00																			
		85/71	89.1	64.0	124.8	10.48	8.50																			

Units in GPM, F, 1000's of BTU's. Operation not recommended in shaded areas.

Specifications subject to change without notice.

N38 – Medium Capacity Operation

EWT	GPM	EAT DB/WB	COOLING					HEATING					
			TC	SC	HR	KW	EER	EAT	HC	HE	KW	COP	
30	20.0	Data Not Available	60	51.3	36.1	4.44	3.38						
			70	49.5	33.5	4.68	3.10						
			80	48.0	31.2	4.94	2.85						
	24.0		60	52.8	37.5	4.48	3.45						
			70	51.3	35.1	4.74	3.17						
			80	49.8	32.7	4.99	2.92						
40	20.0		60	59.0	43.5	4.55	3.80						
			70	57.3	40.8	4.81	3.49						
			80	55.4	38.1	5.07	3.20						
	24.0		60	61.4	45.6	4.63	3.89						
			70	59.4	42.7	4.89	3.56						
			80	57.5	39.9	5.15	3.27						
50	20.0		75/63	63.5	42.2	75.2	3.44	18.45	60	67.0	51.1	4.65	4.22
			80/67	69.5	44.2	81.5	3.53	19.65	70	65.0	48.2	4.92	3.87
			85/71	75.7	46.1	88.1	3.63	20.85	80	62.8	45.1	5.18	3.55
	24.0	75/63	64.2	42.7	75.4	3.28	19.55	60	70.0	53.8	4.75	4.32	
		80/67	70.2	44.7	81.7	3.37	20.85	70	67.5	50.4	5.01	3.95	
		85/71	76.5	46.6	88.2	3.45	22.15	80	65.3	47.2	5.28	3.62	
	60	20.0	75/63	61.3	41.7	74.2	3.76	16.30	60	74.6	58.2	4.82	4.54
			80/67	67.1	43.7	80.3	3.87	17.35	70	72.1	54.8	5.09	4.16
			85/71	73.1	45.6	86.6	3.95	18.50	80	69.5	51.2	5.35	3.81
24.0		75/63	62.2	42.2	74.4	3.59	17.35	60	78.3	61.4	4.94	4.64	
		80/67	68.1	44.1	80.6	3.67	18.55	70	75.4	57.6	5.21	4.24	
		85/71	74.1	46.1	86.9	3.76	19.70	80	72.8	54.0	5.50	3.88	
70		20.0	75/63	59.2	41.2	73.5	4.18	14.15	60	82.3	65.3	4.96	4.86
			80/67	64.7	43.1	79.4	4.30	15.05	70	79.3	61.4	5.23	4.44
			85/71	70.5	45.1	85.3	4.36	16.15	80	76.3	57.5	5.50	4.06
	24.0	75/63	60.2	41.6	73.8	3.97	15.15	60	86.5	69.1	5.11	4.96	
		80/67	66.0	43.6	79.8	4.06	16.25	70	83.3	64.9	5.39	4.53	
		85/71	71.7	45.6	85.9	4.16	17.25	80	80.3	60.8	5.69	4.13	
	80	20.0	75/63	56.2	40.1	72.0	4.63	12.15	60	88.8	71.9	4.94	5.27
			80/67	61.6	42.1	77.8	4.76	12.95	70	85.5	67.0	5.42	4.63
			85/71	67.1	44.1	83.6	4.83	13.90	80	82.1	62.9	5.64	4.27
24.0		75/63	57.3	40.6	72.3	4.38	13.10	60	93.6	75.7	5.27	5.21	
		80/67	62.8	42.6	78.1	4.47	14.05	70	90.1	71.2	5.56	4.76	
		85/71	68.3	44.6	83.9	4.57	14.95	80	86.7	66.7	5.86	4.34	
90		20.0	75/63	53.2	39.1	71.1	5.24	10.15	60	95.3	78.5	4.91	5.68
			80/67	58.5	41.1	76.8	5.39	10.85	70	91.8	72.7	5.59	4.81
			85/71	63.7	43.1	82.4	5.47	11.65	80	88.0	68.4	5.76	4.48
	24.0	75/63	54.5	39.6	71.3	4.93	11.05	60	100.8	82.3	5.41	5.46	
		80/67	59.7	41.6	76.9	5.04	11.85	70	97.0	77.5	5.71	4.98	
		85/71	65.0	43.6	82.5	5.14	12.65	80	93.3	72.7	6.02	4.54	
	100	20.0	75/63	49.5	37.7	69.4	5.85	8.45	Data Not Available				
			80/67	54.2	39.6	74.5	5.96	9.10					
			85/71	59.2	41.5	79.9	6.07	9.75					
24.0		75/63	50.7	38.1	69.3	5.45	9.30						
		80/67	55.7	40.0	74.8	5.60	9.95						
		85/71	60.6	42.0	80.1	5.72	10.60						
110	20.0	75/63	45.7	36.2	68.8	6.77	6.75						
		80/67	50.0	38.0	73.2	6.80	7.35						
		85/71	54.7	39.8	78.5	6.97	7.85						
	24.0	75/63	47.0	36.5	68.2	6.22	7.55						
		80/67	51.7	38.4	73.6	6.42	8.05						
		85/71	56.2	40.4	78.6	6.57	8.55						

Units in GPM, F, 1000's of BTU's. Operation not recommended in shaded areas.

Specifications subject to change without notice.

N38 – Low Capacity Operation

EWT	GPM	EAT	COOLING					HEATING								
		DB/WB	TC	SC	HR	KW	EER	EAT	HC	HE	KW	COP				
30	20.0	Data Not Available														
												60	31.0	22.3	2.54	3.58
												70	30.0	20.9	2.66	3.30
	80											29.1	19.5	2.79	3.05	
	24.0											60	31.9	23.2	2.56	3.65
												70	31.0	21.8	2.70	3.37
80												30.1	20.5	2.83	3.12	
40	20.0											60	35.7	26.7	2.61	4.00
												70	34.6	25.2	2.75	3.69
												80	33.5	23.6	2.89	3.40
	24.0											60	37.1	28.0	2.66	4.09
												70	35.9	26.3	2.80	3.76
		80	34.8	24.7	2.94	3.47										
50	20.0	75/63	38.4	25.5	45.4	2.06	18.60	60	40.5	31.3	2.68	4.42				
		80/67	42.0	26.7	49.2	2.12	19.80	70	39.3	29.6	2.83	4.07				
		85/71	45.8	27.9	53.2	2.18	21.00	80	37.9	27.8	2.96	3.75				
	24.0	75/63	38.9	25.8	45.6	1.97	19.70	60	42.3	32.9	2.74	4.52				
		80/67	42.5	27.0	49.3	2.02	21.00	70	40.8	30.9	2.88	4.15				
		85/71	46.2	28.2	53.3	2.07	22.30	80	39.4	29.1	3.02	3.82				
60	20.0	75/63	37.1	25.2	44.8	2.26	16.45	60	45.0	35.5	2.78	4.74				
		80/67	40.6	26.4	48.5	2.32	17.50	70	43.5	33.5	2.93	4.36				
		85/71	44.2	27.6	52.3	2.37	18.65	80	42.0	31.5	3.07	4.01				
	24.0	75/63	37.7	25.5	45.0	2.15	17.50	60	47.2	37.5	2.86	4.84				
		80/67	41.2	26.7	48.7	2.20	18.70	70	45.5	35.2	3.00	4.44				
		85/71	44.8	27.9	52.5	2.26	19.85	80	43.9	33.1	3.16	4.08				
70	20.0	75/63	35.9	24.9	44.4	2.51	14.30	60	49.6	39.8	2.87	5.06				
		80/67	39.2	26.1	47.9	2.58	15.20	70	47.8	37.5	3.02	4.64				
		85/71	42.6	27.3	51.5	2.61	16.30	80	46.0	35.2	3.16	4.26				
	24.0	75/63	36.5	25.2	44.6	2.38	15.30	60	52.2	42.0	2.96	5.16				
		80/67	39.9	26.4	48.2	2.43	16.40	70	50.2	39.6	3.11	4.73				
		85/71	43.4	27.6	51.9	2.49	17.40	80	48.4	37.2	3.28	4.33				
80	20.0	75/63	34.1	24.3	43.5	2.77	12.30	60	53.5	43.7	2.87	5.47				
		80/67	37.3	25.5	47.0	2.85	13.10	70	51.6	40.9	3.13	4.83				
		85/71	40.6	26.7	50.4	2.89	14.05	80	49.5	38.4	3.25	4.47				
	24.0	75/63	34.7	24.6	43.7	2.62	13.25	60	56.4	46.0	3.06	5.41				
		80/67	38.0	25.8	47.2	2.68	14.20	70	54.3	43.4	3.21	4.96				
		85/71	41.3	27.0	50.7	2.74	15.10	80	52.3	40.8	3.38	4.54				
90	20.0	75/63	32.3	23.7	42.9	3.13	10.30	60	57.4	47.6	2.86	5.88				
		80/67	35.4	24.9	46.4	3.22	11.00	70	55.3	44.3	3.24	5.01				
		85/71	38.6	26.1	49.7	3.27	11.80	80	53.1	41.7	3.32	4.68				
	24.0	75/63	33.0	24.0	43.1	2.95	11.20	60	60.7	50.0	3.14	5.66				
		80/67	36.2	25.2	46.4	3.01	12.00	70	58.5	47.2	3.31	5.18				
		85/71	39.3	26.4	49.8	3.07	12.80	80	56.2	44.3	3.48	4.74				
100	20.0	75/63	30.0	22.9	41.9	3.49	8.60	Data Not Available								
		80/67	32.9	24.0	45.0	3.55	9.25									
		85/71	35.9	25.1	48.2	3.62	9.90									
	24.0	75/63	30.8	23.1	41.9	3.25	9.45									
		80/67	33.8	24.2	45.2	3.34	10.10									
		85/71	36.7	25.4	48.3	3.41	10.75									
110	20.0	75/63	27.8	22.0	41.5	4.02	6.90									
		80/67	30.3	23.1	44.1	4.04	7.50									
		85/71	33.2	24.1	47.3	4.14	8.00									
	24.0	75/63	28.5	22.2	41.1	3.70	7.70									
		80/67	31.4	23.3	44.4	3.82	8.20									
		85/71	34.1	24.4	47.4	3.91	8.70									

Units in GPM, F, 1000's of BTU's. Operation not recommended in shaded areas.

Specifications subject to change without notice.

N39 – High Capacity Operation

EWT	GPM	EAT	COOLING					HEATING																		
		DB/WB	TC	SC	HR	KW	EER	EAT	HC	HE	KW	COP														
30	22.5	Data Not Available																								
												60	91.9	63.9	8.21	3.28										
												70	88.8	59.2	8.67	3.00										
	80											86.1	54.8	9.17	2.75											
	27.0											60	94.6	66.4	8.28	3.35										
												70	91.9	62.0	8.78	3.07										
80												89.2	57.6	9.27	2.82											
40	22.5											Data Not Available														
																						60	105.9	77.3	8.39	3.70
																						70	102.7	72.4	8.89	3.39
	80																					99.3	67.3	9.39	3.10	
	27.0																					60	110.1	81.0	8.53	3.79
		70	106.6	75.8	9.03	3.46																				
80		103.2	70.6	9.54	3.17																					
50	22.5	75/63	113.1	75.2	134.6	6.29	18.00	60	120.3	91.1	8.56											4.12				
		80/67	123.9	78.8	146.0	6.46	19.20	70	116.7	85.7	9.07											3.77				
		85/71	135.2	82.4	157.8	6.63	20.40	80	112.6	80.0	9.57											3.45				
	27.0	75/63	114.5	76.1	135.0	5.99	19.10	60	125.7	95.9	8.73											4.22				
		80/67	125.3	79.7	146.3	6.14	20.40	70	121.2	89.7	9.22											3.85				
		85/71	136.5	83.2	158.0	6.29	21.70	80	117.1	83.9	9.75	3.52														
	60	22.5	75/63	109.3	74.3	132.9	6.90	15.85	60	134.0	103.8	8.85	4.44													
			80/67	119.7	77.9	143.8	7.08	16.90	70	129.5	97.6	9.36	4.06													
			85/71	130.5	81.5	155.1	7.23	18.05	80	124.8	91.1	9.87	3.71													
27.0		75/63	110.9	75.2	133.3	6.56	16.90	60	140.5	109.6	9.07	4.54														
		80/67	121.5	78.8	144.4	6.71	18.10	70	135.4	102.7	9.58	4.14														
		85/71	132.3	82.3	155.7	6.87	19.25	80	130.6	96.0	10.14	3.78														
70	22.5	75/63	105.5	73.3	131.8	7.70	13.70	60	147.7	116.7	9.10	4.76														
		80/67	115.4	76.9	142.4	7.90	14.60	70	142.3	109.5	9.61	4.34														
		85/71	125.7	80.5	153.1	8.01	15.70	80	136.9	102.3	10.13	3.96														
	27.0	75/63	107.3	74.2	132.2	7.30	14.70	60	155.4	123.4	9.37	4.86														
		80/67	117.6	77.8	143.1	7.45	15.80	70	149.5	115.8	9.89	4.43														
		85/71	128.0	81.4	154.0	7.62	16.80	80	144.1	108.4	10.48	4.03														
80	22.5	75/63	100.1	71.5	129.3	8.56	11.70	60	159.4	128.6	9.04	5.17														
		80/67	109.8	75.1	139.7	8.78	12.50	70	153.6	119.6	9.95	4.53														
		85/71	119.7	78.7	150.0	8.90	13.45	80	147.5	112.1	10.37	4.17														
	27.0	75/63	102.1	72.4	129.7	8.07	12.65	60	168.2	135.3	9.65	5.11														
		80/67	112.0	76.0	140.1	8.24	13.60	70	161.9	127.1	10.19	4.66														
		85/71	121.9	79.6	150.6	8.41	14.50	80	155.8	119.0	10.78	4.24														
90	22.5	75/63	94.7	69.6	128.0	9.76	9.70	60	171.1	140.5	8.99	5.58														
		80/67	104.1	73.3	138.3	10.01	10.40	70	164.8	129.8	10.26	4.71														
		85/71	113.6	76.9	148.2	10.14	11.20	80	158.1	122.0	10.58	4.38														
	27.0	75/63	96.9	70.5	128.2	9.15	10.60	60	181.0	147.3	9.90	5.36														
		80/67	106.4	74.2	138.2	9.33	11.40	70	174.3	138.6	10.47	4.88														
		85/71	115.8	77.8	148.2	9.50	12.20	80	167.5	129.8	11.06	4.44														
100	22.5	75/63	87.9	67.0	125.5	10.99	8.00	Data Not Available																		
		80/67	96.5	70.5	134.6	11.16	8.65																			
		85/71	105.5	73.9	144.2	11.34	9.30																			
	27.0	75/63	90.2	67.7	125.0	10.19	8.85																			
		80/67	99.2	71.2	134.8	10.44	9.50																			
		85/71	108.0	74.8	144.3	10.64	10.15																			
110	22.5	75/63	81.2	64.4	125.2	12.89	6.30						Data Not Available													
		80/67	88.8	67.7	132.8	12.88	6.90																			
		85/71	97.4	70.9	142.3	13.16	7.40																			
	27.0	75/63	83.4	64.9	123.6	11.75	7.10																			
		80/67	92.0	68.2	133.3	12.11	7.60																			
		85/71	100.1	71.9	142.3	12.36	8.10																			

Units in GPM, F, 1000's of BTU's. Operation not recommended in shaded areas.

Specifications subject to change without notice.

N39 – Medium Capacity Operation

EWT	GPM	EAT DB/WB	COOLING					HEATING															
			TC	SC	HR	KW	EER	EAT	HC	HE	KW	COP											
30	15.0	Data Not Available	60	61.3	42.7	5.46	3.29	70	59.2	39.5	5.76	3.01	80	57.4	36.6	6.09	2.76						
				63.1	44.3	5.50	3.36		61.3	41.4	5.83	3.08		59.5	38.5	6.16	2.83						
				60	63.1	44.3	5.50		3.36	70	61.3	41.4		5.83	3.08	80	59.5	38.5	6.16	2.83			
	18.0		60	70.6	51.6	5.58	3.71	70	68.5	48.3	5.91	3.40	80	66.2	44.9	6.24	3.11						
				73.4	54.1	5.67	3.80		70	71.0	50.6	6.00		3.47	70	71.0	50.6	6.00	3.47				
				60	70.6	51.6	5.58		3.71	80	66.2	44.9		6.24	3.11	80	66.2	44.9	6.24	3.11			
40	15.0		Data Not Available	60	70.6	51.6	5.58	3.71	70	68.5	48.3	5.91	3.40	80	66.2	44.9	6.24	3.11					
					73.4	54.1	5.67	3.80		70	71.0	50.6	6.00		3.47	70	71.0	50.6	6.00	3.47			
					60	70.6	51.6	5.58		3.71	80	66.2	44.9		6.24	3.11	80	66.2	44.9	6.24	3.11		
	18.0			60	75/63	75.4	50.2	89.7	4.18	18.03	70	77.8	57.2	6.03	3.78	80	75.1	53.4	6.36	3.46			
					80/67	82.6	52.6	97.3	4.30	19.23		70	77.8	57.2	6.03		3.78	70	77.8	57.2	6.03	3.78	
					85/71	90.1	54.9	105.2	4.41	20.43		80	75.1	53.4	6.36		3.46	80	75.1	53.4	6.36	3.46	
50	15.0			Data Not Available	60	75/63	76.3	50.7	89.9	3.99	19.13	70	83.8	64.0	5.81	4.23	80	80.8	59.9	6.13	3.86		
						80/67	83.5	53.1	97.5	4.09	20.43		70	80.8	59.9	6.13		3.86	70	80.8	59.9	6.13	3.86
						85/71	91.0	55.5	105.3	4.19	21.73		80	78.1	56.0	6.48		3.53	80	78.1	56.0	6.48	3.53
	18.0	60			75/63	72.9	49.5	88.5	4.59	15.88	70	86.3	65.1	6.22	4.07	80	83.2	60.8	6.56	3.72			
					80/67	79.8	51.9	95.9	4.71	16.93		70	86.3	65.1	6.22		4.07	70	86.3	65.1	6.22	4.07	
					85/71	87.0	54.3	103.4	4.81	18.08		80	83.2	60.8	6.56		3.72	80	83.2	60.8	6.56	3.72	
60	15.0	Data Not Available			60	75/63	73.9	50.1	88.8	4.37	16.93	70	93.7	73.1	6.03	4.55	80	87.1	64.1	6.74	3.79		
						80/67	81.0	52.5	96.2	4.47	18.13		70	90.2	68.5	6.37		4.15	70	90.2	68.5	6.37	4.15
						85/71	88.2	54.9	103.8	4.57	19.28		80	87.1	64.1	6.74		3.79	80	87.1	64.1	6.74	3.79
	18.0		60		75/63	70.3	48.9	87.8	5.12	13.73	70	98.5	77.8	6.05	4.77	80	91.3	68.3	6.74	3.97			
					80/67	76.9	51.3	94.9	5.26	14.63		70	94.9	73.1	6.39		4.35	70	94.9	73.1	6.39	4.35	
					85/71	83.8	53.7	102.0	5.33	15.73		80	91.3	68.3	6.74		3.97	80	91.3	68.3	6.74	3.97	
70	15.0		Data Not Available		60	75/63	71.5	49.5	88.1	4.86	14.73	70	103.6	82.3	6.23	4.87	80	96.1	72.3	6.97	4.04		
						80/67	78.4	51.9	95.3	4.95	15.83		70	99.7	77.2	6.58		4.44	70	99.7	77.2	6.58	4.44
						85/71	85.3	54.3	102.6	5.07	16.83		80	96.1	72.3	6.97		4.04	80	96.1	72.3	6.97	4.04
	18.0			60	75/63	66.7	47.6	86.1	5.69	11.73	70	106.3	85.8	6.01	5.18	80	98.3	74.8	6.90	4.18			
					80/67	73.2	50.1	93.1	5.84	12.53		70	102.4	79.8	6.62		4.54	70	102.4	79.8	6.62	4.54	
					85/71	79.8	52.5	100.0	5.92	13.48		80	98.3	74.8	6.90		4.18	80	98.3	74.8	6.90	4.18	
80	15.0			Data Not Available	60	75/63	68.1	48.2	86.4	5.37	12.68	70	112.1	90.2	6.42	5.12	80	103.9	79.4	7.17	4.25		
						80/67	74.7	50.7	93.4	5.48	13.63		70	107.9	84.8	6.78		4.67	70	107.9	84.8	6.78	4.67
						85/71	81.3	53.1	100.4	5.59	14.53		80	103.9	79.4	7.17		4.25	80	103.9	79.4	7.17	4.25
	18.0	60			75/63	63.1	46.4	85.3	6.49	9.73	70	114.1	93.7	5.98	5.59	80	105.4	81.4	7.04	4.39			
					80/67	69.4	48.8	92.1	6.66	10.43		70	109.9	86.6	6.82		4.72	70	109.9	86.6	6.82	4.72	
					85/71	75.7	51.3	98.7	6.74	11.23		80	105.4	81.4	7.04		4.39	80	105.4	81.4	7.04	4.39	
90	15.0	Data Not Available			60	75/63	64.6	47.0	85.4	6.08	10.63	70	120.7	98.2	6.59	5.37	80	111.7	86.6	7.36	4.45		
						80/67	70.9	49.4	92.1	6.21	11.43		70	116.2	92.4	6.96		4.89	70	116.2	92.4	6.96	4.89
						85/71	77.2	51.8	98.8	6.31	12.23		80	111.7	86.6	7.36		4.45	80	111.7	86.6	7.36	4.45
	18.0		60		75/63	58.6	44.7	83.5	7.30	8.03	70	114.1	93.7	5.98	5.59	80	105.4	81.4	7.04	4.39			
					80/67	64.3	47.0	89.6	7.41	8.68		70	109.9	86.6	6.82		4.72	70	109.9	86.6	6.82	4.72	
					85/71	70.3	49.3	96.1	7.54	9.33		80	105.4	81.4	7.04		4.39	80	105.4	81.4	7.04	4.39	
100	15.0		Data Not Available		60	75/63	60.1	45.2	83.2	6.77	8.88	70	120.7	98.2	6.59	5.37	80	111.7	86.6	7.36	4.45		
						80/67	66.1	47.5	89.8	6.94	9.53		70	116.2	92.4	6.96		4.89	70	116.2	92.4	6.96	4.89
						85/71	72.0	49.9	96.1	7.07	10.18		80	111.7	86.6	7.36		4.45	80	111.7	86.6	7.36	4.45
	18.0			60	75/63	54.1	42.9	83.3	8.55	6.33	70	114.1	93.7	5.98	5.59	80	105.4	81.4	7.04	4.39			
					80/67	59.2	45.1	88.4	8.55	6.93		70	109.9	86.6	6.82		4.72	70	109.9	86.6	6.82	4.72	
					85/71	64.9	47.3	94.8	8.74	7.43		80	105.4	81.4	7.04		4.39	80	105.4	81.4	7.04	4.39	
110	15.0			Data Not Available	60	75/63	55.6	43.3	82.3	7.80	7.13	70	120.7	98.2	6.59	5.37	80	111.7	86.6	7.36	4.45		
						80/67	61.3	45.5	88.8	8.04	7.63		70	116.2	92.4	6.96		4.89	70	116.2	92.4	6.96	4.89
						85/71	66.7	47.9	94.7	8.21	8.13		80	111.7	86.6	7.36		4.45	80	111.7	86.6	7.36	4.45
	18.0	60			75/63	58.6	44.7	83.5	7.30	8.03	70	114.1	93.7	5.98	5.59	80	105.4	81.4	7.04	4.39			
					80/67	64.3	47.0	89.6	7.41	8.68		70	109.9	86.6	6.82		4.72	70	109.9	86.6	6.82	4.72	
					85/71	70.3	49.3	96.1	7.54	9.33		80	105.4	81.4	7.04		4.39	80	105.4	81.4	7.04	4.39	

Units in GPM, F, 1000's of BTU's. Operation not recommended in shaded areas.

Specifications subject to change without notice.

N39 – Low Capacity Operation

EWT	GPM	EAT	COOLING					HEATING																		
		DB/WB	TC	SC	HR	KW	EER	EAT	HC	HE	KW	COP														
30	7.5	Data Not Available										60	30.6	21.4	2.70	3.33										
												70	29.6	19.9	2.84	3.05										
												80	28.7	18.4	3.00	2.80										
	9.0											60	31.5	22.3	2.72	3.40										
												70	30.6	20.8	2.88	3.12										
												80	29.7	19.4	3.04	2.87										
40	7.5											Data Not Available										60	35.3	25.9	2.76	3.75
																						70	34.2	24.3	2.92	3.44
																						80	33.1	22.6	3.08	3.15
	9.0																					60	36.7	27.1	2.81	3.84
																						70	35.5	25.4	2.97	3.51
																						80	34.4	23.7	3.13	3.22
50	7.5	75/63	37.7	25.1	44.8	2.09	18.06	60	40.1	30.5	2.82											4.17				
		80/67	41.3	26.3	48.6	2.15	19.26	70	38.9	28.7	2.98											3.82				
		85/71	45.1	27.5	52.6	2.20	20.46	80	37.5	26.8	3.14											3.50				
	9.0	75/63	38.2	25.4	45.0	1.99	19.16	60	41.9	32.1	2.88											4.27				
		80/67	41.8	26.6	48.7	2.04	20.46	70	40.4	30.0	3.04											3.90				
		85/71	45.5	27.7	52.7	2.09	21.76	80	39.0	28.1	3.21											3.57				
60	7.5	75/63	36.4	24.8	44.3	2.29	15.91	60	44.7	34.7	2.92	4.49														
		80/67	39.9	26.0	47.9	2.35	16.96	70	43.2	32.7	3.08	4.11														
		85/71	43.5	27.2	51.7	2.40	18.11	80	41.6	30.5	3.25	3.76														
	9.0	75/63	37.0	25.1	44.4	2.18	16.96	60	46.8	36.6	2.99	4.59														
		80/67	40.5	26.3	48.1	2.23	18.16	70	45.1	34.4	3.16	4.19														
		85/71	44.1	27.4	51.9	2.28	19.31	80	43.5	32.2	3.34	3.83														
70	7.5	75/63	35.2	24.4	43.9	2.56	13.76	60	49.2	39.0	3.00	4.81														
		80/67	38.5	25.6	47.4	2.62	14.66	70	47.4	36.6	3.17	4.39														
		85/71	41.9	26.8	51.0	2.66	15.76	80	45.6	34.3	3.34	4.01														
	9.0	75/63	35.8	24.7	44.0	2.42	14.76	60	51.8	41.2	3.09	4.91														
		80/67	39.2	25.9	47.7	2.47	15.86	70	49.8	38.7	3.26	4.48														
		85/71	42.7	27.1	51.3	2.53	16.86	80	48.0	36.3	3.45	4.08														
80	7.5	75/63	33.4	23.8	43.0	2.84	11.76	60	53.1	43.0	2.98	5.22														
		80/67	36.6	25.0	46.5	2.91	12.56	70	51.2	40.0	3.28	4.58														
		85/71	39.9	26.2	50.0	2.95	13.51	80	49.2	37.5	3.41	4.22														
	9.0	75/63	34.0	24.1	43.2	2.68	12.71	60	56.1	45.2	3.18	5.16														
		80/67	37.3	25.3	46.7	2.73	13.66	70	54.0	42.5	3.36	4.71														
		85/71	40.6	26.5	50.2	2.79	14.56	80	51.9	39.8	3.55	4.29														
90	7.5	75/63	31.6	23.2	42.6	3.23	9.76	60	57.0	46.9	2.97	5.63														
		80/67	34.7	24.4	46.0	3.32	10.46	70	54.9	43.4	3.38	4.76														
		85/71	37.9	25.6	49.3	3.36	11.26	80	52.7	40.8	3.49	4.43														
	9.0	75/63	32.3	23.5	42.7	3.03	10.66	60	60.3	49.2	3.27	5.41														
		80/67	35.5	24.7	46.0	3.09	11.46	70	58.1	46.3	3.45	4.93														
		85/71	38.6	25.9	49.4	3.15	12.26	80	55.8	43.4	3.65	4.49														
100	7.5	75/63	29.3	22.3	41.7	3.64	8.06	Data Not Available																		
		80/67	32.2	23.5	44.8	3.69	8.71																			
		85/71	35.2	24.6	48.0	3.76	9.36																			
	9.0	75/63	30.1	22.6	41.6	3.37	8.91																			
		80/67	33.1	23.7	44.9	3.46	9.56																			
		85/71	36.0	24.9	48.0	3.53	10.21																			
110	7.5	75/63	27.1	21.5	41.6	4.26	6.36						Data Not Available													
		80/67	29.6	22.6	44.1	4.26	6.96																			
		85/71	32.5	23.6	47.3	4.35	7.46																			
	9.0	75/63	27.8	21.6	41.1	3.88	7.16																			
		80/67	30.7	22.7	44.3	4.00	7.66																			
		85/71	33.4	24.0	47.3	4.09	8.16																			

Units in GPM, F, 1000's of BTU's. Operation not recommended in shaded areas.

Specifications subject to change without notice.

N3X – High Capacity Operation

EWT	GPM	EAT	COOLING					HEATING								
		DB/WB	TC	SC	HR	KW	EER	EAT	HC	HE	KW	COP				
30	25.0	Data Not Available														
												60	102.1	70.9	9.15	3.27
												70	98.6	65.7	9.67	2.99
	80											95.6	60.7	10.23	2.74	
	30.0											60	105.1	73.7	9.23	3.34
												70	102.1	68.8	9.78	3.06
80												99.1	63.9	10.34	2.81	
40	25.0											60	117.7	85.8	9.35	3.69
												70	114.1	80.3	9.91	3.38
												80	110.4	74.7	10.47	3.09
	30.0											60	122.4	90.0	9.50	3.78
												70	118.4	84.1	10.06	3.45
		80	114.6	78.4	10.63	3.16										
50	25.0	75/63	125.7	83.6	149.6	6.99	17.99	60	133.6	101.1	9.53	4.11				
		80/67	137.7	87.6	162.2	7.18	19.19	70	129.6	95.2	10.11	3.76				
		85/71	150.2	91.5	175.4	7.37	20.39	80	125.1	88.8	10.66	3.44				
	30.0	75/63	127.2	84.6	150.0	6.66	19.09	60	139.6	106.5	9.72	4.21				
		80/67	139.2	88.5	162.5	6.83	20.39	70	134.6	99.6	10.28	3.84				
		85/71	151.7	92.5	175.6	6.99	21.69	80	130.1	93.1	10.87	3.51				
	60	25.0	75/63	121.5	82.5	147.6	7.67	15.84	60	148.9	115.3	9.85	4.43			
			80/67	133.0	86.6	159.8	7.87	16.89	70	143.9	108.3	10.43	4.05			
			85/71	145.0	90.5	172.4	8.04	18.04	80	138.6	101.1	11.00	3.70			
30.0		75/63	123.2	83.5	148.1	7.30	16.89	60	156.1	121.7	10.10	4.53				
		80/67	135.0	87.5	160.4	7.46	18.09	70	150.4	114.0	10.67	4.13				
		85/71	147.0	91.5	173.0	7.64	19.24	80	145.1	106.6	11.30	3.77				
70	25.0	75/63	117.2	81.5	146.4	8.56	13.69	60	164.1	129.6	10.13	4.75				
		80/67	128.2	85.5	158.2	8.79	14.59	70	158.1	121.6	10.70	4.33				
		85/71	139.7	89.5	170.1	8.91	15.69	80	152.1	113.6	11.29	3.95				
	30.0	75/63	119.2	82.5	146.9	8.12	14.69	60	172.6	137.0	10.43	4.85				
		80/67	130.7	86.5	159.0	8.28	15.79	70	166.1	128.6	11.02	4.42				
		85/71	142.2	90.4	171.1	8.47	16.79	80	160.1	120.3	11.68	4.02				
80	25.0	75/63	111.2	79.4	143.7	9.51	11.69	60	177.1	142.8	10.06	5.16				
		80/67	122.0	83.5	155.3	9.77	12.49	70	170.6	132.8	11.08	4.52				
		85/71	133.0	87.5	166.7	9.89	13.44	80	163.9	124.5	11.55	4.16				
	30.0	75/63	113.5	80.4	144.1	8.98	12.64	60	186.9	150.2	10.74	5.10				
		80/67	124.5	84.5	155.7	9.16	13.59	70	179.9	141.2	11.35	4.65				
		85/71	135.5	88.4	167.4	9.35	14.49	80	173.1	132.2	12.01	4.23				
90	25.0	75/63	105.2	77.3	142.3	10.86	9.69	60	190.1	156.0	10.00	5.57				
		80/67	115.7	81.4	153.7	11.14	10.39	70	183.1	144.2	11.42	4.70				
		85/71	126.2	85.4	164.7	11.28	11.19	80	175.6	135.4	11.78	4.37				
	30.0	75/63	107.7	78.3	142.4	10.17	10.59	60	201.1	163.5	11.02	5.35				
		80/67	118.2	82.4	153.6	10.38	11.39	70	193.6	153.9	11.65	4.87				
		85/71	128.7	86.4	164.7	10.56	12.19	80	186.1	144.1	12.31	4.43				
100	25.0	75/63	97.7	74.5	139.4	12.23	7.99	Data Not Available								
		80/67	107.2	78.3	149.6	12.41	8.64									
		85/71	117.2	82.1	160.3	12.62	9.29									
	30.0	75/63	100.2	75.3	138.9	11.34	8.84									
		80/67	110.2	79.1	149.8	11.61	9.49									
		85/71	120.0	83.2	160.3	11.83	10.14									
110	25.0	75/63	90.2	71.5	139.2	14.34	6.29									
		80/67	98.7	75.2	147.6	14.33	6.89									
		85/71	108.2	78.8	158.2	14.64	7.39									
	30.0	75/63	92.7	72.1	137.3	13.08	7.09									
		80/67	102.2	75.8	148.2	13.47	7.59									
		85/71	111.2	79.9	158.1	13.75	8.09									

Units in GPM, F, 1000's of BTU's. Operation not recommended in shaded areas.

Specifications subject to change without notice.

N3X – Medium Capacity Operation

EWT	GPM	EAT DB/WB	COOLING					HEATING					
			TC	SC	HR	KW	EER	EAT	HC	HE	KW	COP	
30	15.0	Data Not Available	60	61.3	42.6	5.48	3.28						
			70	59.2	39.5	5.78	3.00						
			80	57.4	36.5	6.12	2.75						
	18.0		60	63.1	44.3	5.52	3.35						
			70	61.3	41.3	5.85	3.07						
			80	59.5	38.4	6.18	2.82						
40	15.0		60	70.6	51.5	5.59	3.70						
			70	68.5	48.3	5.93	3.39						
			80	66.2	44.9	6.26	3.10						
	18.0		60	73.4	54.0	5.69	3.79						
			70	71.0	50.5	6.02	3.46						
			80	68.8	47.1	6.36	3.17						
50	15.0		75/63	75.4	50.2	89.7	4.19	18.01	60	80.2	60.7	5.70	4.12
			80/67	82.6	52.6	97.3	4.30	19.21	70	77.8	57.2	6.05	3.77
			85/71	90.1	54.9	105.2	4.42	20.41	80	75.1	53.3	6.38	3.45
	18.0	75/63	76.3	50.7	90.0	3.99	19.11	60	83.8	63.9	5.82	4.22	
		80/67	83.5	53.1	97.5	4.09	20.41	70	80.8	59.8	6.15	3.85	
		85/71	91.0	55.5	105.3	4.19	21.71	80	78.1	55.9	6.50	3.52	
	60	15.0	75/63	72.9	49.5	88.6	4.60	15.86	60	89.3	69.2	5.90	4.44
			80/67	79.8	51.9	95.9	4.72	16.91	70	86.3	65.0	6.24	4.06
			85/71	87.0	54.3	103.4	4.82	18.06	80	83.2	60.7	6.58	3.71
18.0		75/63	73.9	50.1	88.8	4.37	16.91	60	93.7	73.1	6.05	4.54	
		80/67	81.0	52.5	96.2	4.47	18.11	70	90.2	68.4	6.39	4.14	
		85/71	88.2	54.9	103.8	4.58	19.26	80	87.1	64.0	6.76	3.78	
70	15.0	75/63	70.3	48.9	87.8	5.13	13.71	60	98.5	77.8	6.06	4.76	
		80/67	76.9	51.3	94.9	5.27	14.61	70	94.9	73.0	6.41	4.34	
		85/71	83.8	53.7	102.0	5.34	15.71	80	91.3	68.2	6.76	3.96	
	18.0	75/63	71.5	49.5	88.1	4.86	14.71	60	103.6	82.3	6.25	4.86	
		80/67	78.4	51.9	95.4	4.96	15.81	70	99.7	77.2	6.59	4.43	
		85/71	85.3	54.3	102.7	5.08	16.81	80	96.1	72.2	6.99	4.03	
80	15.0	75/63	66.7	47.6	86.2	5.70	11.71	60	106.3	85.7	6.03	5.17	
		80/67	73.2	50.1	93.1	5.85	12.51	70	102.4	79.8	6.63	4.53	
		85/71	79.8	52.5	100.0	5.93	13.46	80	98.3	74.8	6.91	4.17	
	18.0	75/63	68.1	48.2	86.4	5.38	12.66	60	112.1	90.2	6.43	5.11	
		80/67	74.7	50.7	93.4	5.49	13.61	70	107.9	84.7	6.80	4.66	
		85/71	81.3	53.1	100.4	5.60	14.51	80	103.9	79.4	7.19	4.24	
90	15.0	75/63	63.1	46.4	85.3	6.50	9.71	60	114.1	93.6	5.99	5.58	
		80/67	69.4	48.8	92.2	6.67	10.41	70	109.9	86.6	6.84	4.71	
		85/71	75.7	51.3	98.8	6.76	11.21	80	105.4	81.3	7.05	4.38	
	18.0	75/63	64.6	47.0	85.4	6.09	10.61	60	120.7	98.2	6.60	5.36	
		80/67	70.9	49.4	92.1	6.22	11.41	70	116.2	92.4	6.98	4.88	
		85/71	77.2	51.8	98.8	6.33	12.21	80	111.7	86.5	7.37	4.44	
100	15.0	75/63	58.6	44.7	83.6	7.32	8.01	Data Not Available					
		80/67	64.3	47.0	89.7	7.43	8.66						
		85/71	70.3	49.3	96.1	7.55	9.31						
	18.0	75/63	60.1	45.2	83.3	6.79	8.86						
		80/67	66.1	47.5	89.9	6.95	9.51						
		85/71	72.0	49.9	96.2	7.08	10.16						
110	15.0	75/63	54.1	42.9	83.4	8.58	6.31						
		80/67	59.2	45.1	88.5	8.57	6.91						
		85/71	64.9	47.3	94.8	8.76	7.41						
	18.0	75/63	55.6	43.3	82.3	7.82	7.11						
		80/67	61.3	45.5	88.8	8.06	7.61						
		85/71	66.7	47.9	94.8	8.23	8.11						

Units in GPM, F, 1000's of BTU's. Operation not recommended in shaded areas.

Specifications subject to change without notice.

N3X – Low Capacity Operation

EWT	GPM	EAT	COOLING					HEATING																		
		DB/WB	TC	SC	HR	KW	EER	EAT	HC	HE	KW	COP														
30	10.0	Data Not Available										60	40.9	28.5	3.63	3.30										
												70	39.5	26.4	3.83	3.02										
												80	38.3	24.4	4.05	2.77										
	12.0											60	42.1	29.6	3.66	3.37										
												70	40.9	27.6	3.88	3.09										
												80	39.7	25.7	4.09	2.84										
40	10.0											Data Not Available										60	47.1	34.4	3.71	3.72
																						70	45.7	32.2	3.93	3.41
																						80	44.2	30.0	4.15	3.12
	12.0																					60	49.0	36.1	3.77	3.81
																						70	47.4	33.7	3.99	3.48
																						80	45.9	31.5	4.21	3.19
50	10.0	75/63	50.3	33.4	59.8	2.79	18.04	60	53.5	40.5	3.78											4.14				
		80/67	55.1	35.0	64.9	2.86	19.24	70	51.9	38.2	4.01											3.79				
		85/71	60.1	36.6	70.1	2.94	20.44	80	50.1	35.6	4.23											3.47				
	12.0	75/63	50.9	33.8	60.0	2.66	19.14	60	55.9	42.7	3.86											4.24				
		80/67	55.7	35.4	65.0	2.72	20.44	70	53.9	39.9	4.08											3.87				
		85/71	60.7	37.0	70.2	2.79	21.74	80	52.1	37.4	4.31											3.54				
	60	10.0	75/63	48.6	33.0	59.0	3.06	15.89	60	59.6	46.2	3.91	4.46													
			80/67	53.2	34.6	63.9	3.14	16.94	70	57.6	43.4	4.14	4.08													
			85/71	58.0	36.2	68.9	3.21	18.09	80	55.5	40.6	4.36	3.73													
12.0		75/63	49.3	33.4	59.2	2.91	16.94	60	62.5	48.8	4.01	4.56														
		80/67	54.0	35.0	64.1	2.98	18.14	70	60.2	45.7	4.24	4.16														
		85/71	58.8	36.6	69.2	3.05	19.29	80	58.1	42.8	4.48	3.80														
70	10.0	75/63	46.9	32.6	58.5	3.41	13.74	60	65.7	51.9	4.03	4.78														
		80/67	51.3	34.2	63.2	3.50	14.64	70	63.3	48.7	4.25	4.36														
		85/71	55.9	35.8	68.0	3.55	15.74	80	60.9	45.6	4.48	3.98														
	12.0	75/63	47.7	33.0	58.7	3.24	14.74	60	69.1	54.9	4.15	4.88														
		80/67	52.3	34.6	63.6	3.30	15.84	70	66.5	51.5	4.38	4.45														
		85/71	56.9	36.2	68.4	3.38	16.84	80	64.1	48.2	4.64	4.05														
80	10.0	75/63	44.5	31.8	57.4	3.79	11.74	60	70.9	57.2	4.00	5.19														
		80/67	48.8	33.4	62.1	3.89	12.54	70	68.3	53.2	4.40	4.55														
		85/71	53.2	35.0	66.6	3.94	13.49	80	65.6	49.9	4.59	4.19														
	12.0	75/63	45.4	32.2	57.6	3.58	12.69	60	74.8	60.2	4.27	5.13														
		80/67	49.8	33.8	62.2	3.65	13.64	70	72.0	56.6	4.51	4.68														
		85/71	54.2	35.4	66.9	3.73	14.54	80	69.3	53.0	4.77	4.26														
90	10.0	75/63	42.1	30.9	56.8	4.32	9.74	60	76.1	62.5	3.98	5.60														
		80/67	46.3	32.6	61.4	4.43	10.44	70	73.3	57.8	4.54	4.73														
		85/71	50.5	34.2	65.8	4.49	11.24	80	70.3	54.3	4.68	4.40														
	12.0	75/63	43.1	31.3	56.9	4.05	10.64	60	80.5	65.5	4.38	5.38														
		80/67	47.3	33.0	61.4	4.13	11.44	70	77.5	61.6	4.63	4.90														
		85/71	51.5	34.6	65.8	4.21	12.24	80	74.5	57.8	4.89	4.46														
100	10.0	75/63	39.1	29.8	55.7	4.86	8.04	Data Not Available																		
		80/67	42.9	31.3	59.7	4.94	8.69																			
		85/71	46.9	32.9	64.0	5.02	9.34																			
	12.0	75/63	40.1	30.1	55.5	4.51	8.89																			
		80/67	44.1	31.7	59.9	4.62	9.54																			
		85/71	48.0	33.3	64.1	4.71	10.19																			
110	10.0	75/63	36.1	28.6	55.5	5.69	6.34																			
		80/67	39.5	30.1	58.9	5.69	6.94																			
		85/71	43.3	31.5	63.1	5.82	7.44																			
	12.0	75/63	37.1	28.9	54.8	5.19	7.14																			
		80/67	40.9	30.3	59.1	5.35	7.64																			
		85/71	44.5	31.9	63.1	5.47	8.14																			

Units in GPM, F, 1000's of BTU's. Operation not recommended in shaded areas.

Specifications subject to change without notice.

